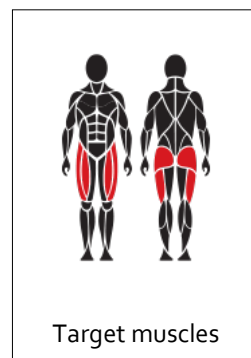


# OG10 SQUAT

## PRODUCT GUIDE



## PRODUCT FEATURES

- Effective and safe exercise equipment
- Adjustable loading:
  - 20-90 kg (2 x weight unit)
  - 5 kg increments
- Multigrip (distance)
- Adjustable starting height
- Maintenance-free
- Can be installed on a movable platform

## COLOR OPTIONS

The product comes as standard in RAL Classic colors:  
RAL 5012 (blue), RAL 3020 (red), RAL 6018 (green)  
RAL 1017 (yellow), or RAL 7024 (grey).



Other RAL colors are available at an additional cost.

# OG10 SQUAT

## D I M E N S I O N S

Length	2055 mm
Width	930 mm
Height	1880 mm
Equipment weight	227 kg (2 x weight unit)

## M A T E R I A L

Metal parts	Steel
Movement arm	Stainless steel
Tube strengths	3-6 mm
Coating solution	Zink and powder coating electropolishing

## C O U N T R Y / S T A N D A R D

Country of manufacture	Finland
Standard	EN16630

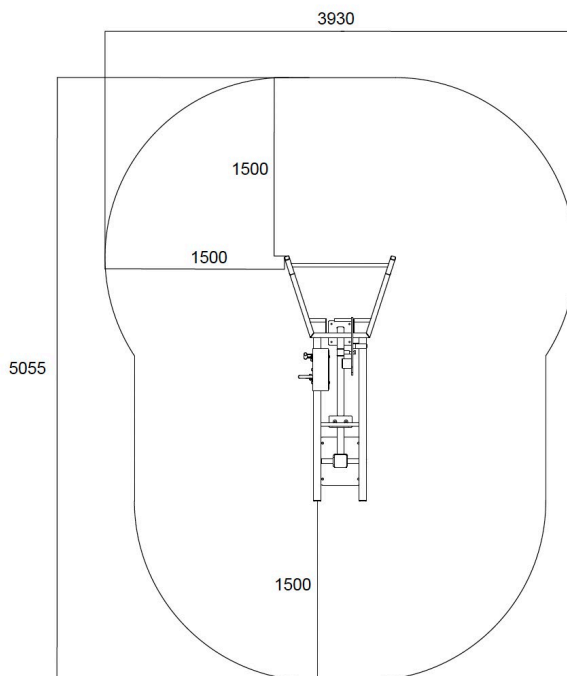
## B A S E O P T I O N S

- A. Concrete Surface mounting to concrete
- B. Platform Installed on movable platform

## F O U N D A T I O N

For example: artificial turf or moldable safety platform  
Concrete min 120 mm below equipment  
Ground frost insulation, thickness based on the ground

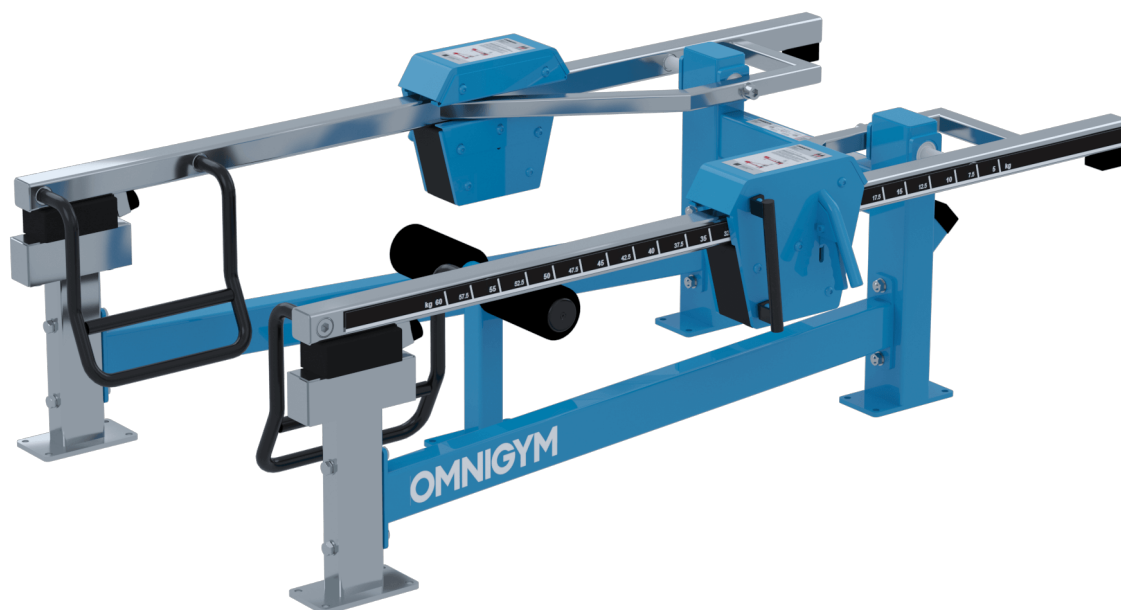
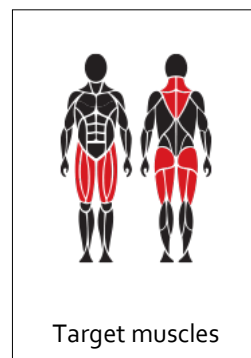
Instruction guide included in delivery:  
installation instructions, maintenance, usage info.  
Contact: [info@omnigym.com](mailto:info@omnigym.com)



## EN16630

# OG12 MULTILIFT

## PRODUCT GUIDE



## PRODUCT FEATURES

- Effective and safe exercise equipment
- Adjustable loading:
  - 5-120 kg (2 x weight unit)
  - 2,5 kg increments
- Multigrip (height)
- Leg stand for unilateral exercises
- Maintenance-free
- Can be installed on a movable platform

## COLOR OPTIONS

The product comes as standard in RAL Classic colors:  
RAL 5012 (blue), RAL 3020 (red), RAL 6018 (green)  
RAL 1017 (yellow), or RAL 7024 (grey).



Other RAL colors are available at an additional cost.

# OG12 MULTILIFT

## D I M E N S I O N S

Length	2060 mm
Width	1320 mm
Height	655 mm
Equipment weight	280 kg (2 x weight unit)

## M A T E R I A L

Metal parts	Steel
Movement arm	Stainless steel
Tube strengths	3-6 mm
Coating solution	Zink and powder coating electropolishing

## C O U N T R Y / S T A N D A R D

Country of manufacture	Finland
Standard	EN16630

## B A S E O P T I O N S

- A. Concrete Surface mounting to concrete
- B. Platform Installed on movable platform

## F O U N D A T I O N

For example: artificial turf or moldable safety platform

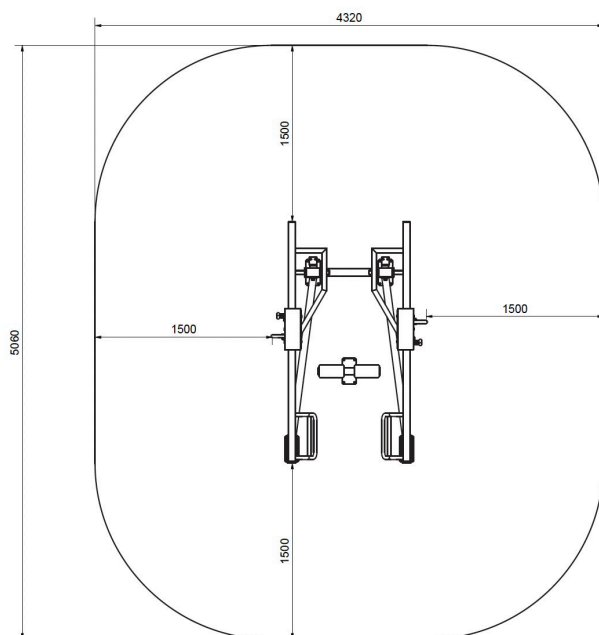
Concrete min 120 mm below equipment

Ground frost insulation, thickness based on the ground

Instruction guide included in delivery:

installation instructions, maintenance, usage info.

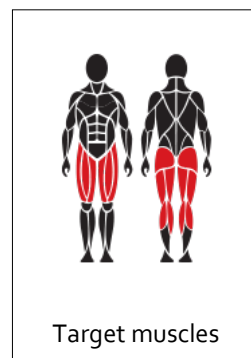
Contact: [info@omnigym.com](mailto:info@omnigym.com)



## EN16630

# OG14 LEG PRESS

## PRODUCT GUIDE



### PRODUCT FEATURES

- Effective and safe exercise equipment
- Adjustable loading:
  - 75-165 kg (2 x weight unit)
  - 2,5 kg increments
- Adjustable seat (distance)
- Maintenance-free
- Can be installed on a movable platform

### COLOR OPTIONS

The product comes as standard in RAL Classic colors:  
RAL 5012 (blue), RAL 3020 (red), RAL 6018 (green)  
RAL 1017 (yellow), or RAL 7024 (grey).



Other RAL colors are available at an additional cost.

# OG14 LEG PRESS

## D I M E N S I O N S

Length	3145 mm
Width	1140 mm
Height	1805 mm
Equipment weight	425 kg (2 x weight unit)

## M A T E R I A L

Metal parts	Steel
Movement arm	Stainless steel
Tube strengths	3-6 mm
Coating solution	Zink and powder coating electropolishing

## C O U N T R Y / S T A N D A R D

Country of manufacture	Finland
Standard	EN16630

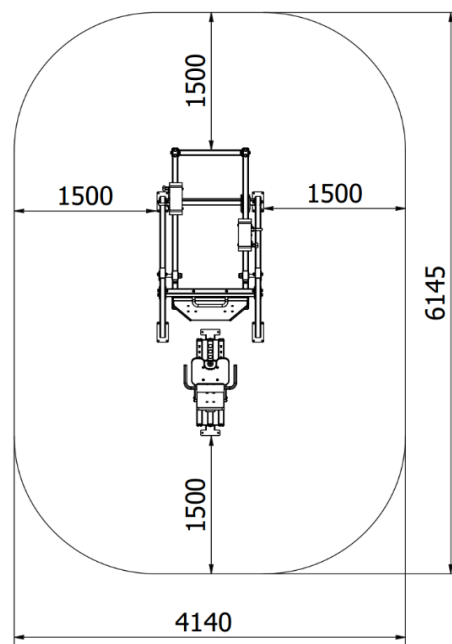
## B A S E O P T I O N S

- A. Concrete Surface mounting to concrete
- B. Platform Installed on movable platform

## F O U N D A T I O N

For example: artificial turf or moldable safety platform  
Concrete min 120 mm below equipment  
Ground frost insulation, thickness based on the ground

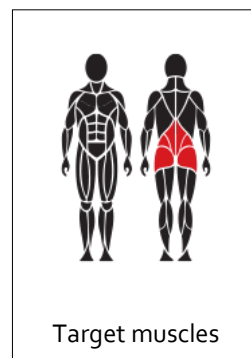
Instruction guide included in delivery:  
installation instructions, maintenance, usage info.  
Contact: [info@omnigym.com](mailto:info@omnigym.com)



## EN16630

# OG20 BACK EXTENSION

## PRODUCT GUIDE



## PRODUCT FEATURES

- Effective and safe exercise equipment
- Foot peg with 3 different heights
- Maintenance-free
- Can be installed on a movable platform

## COLOR OPTIONS

The product comes as standard in RAL Classic colors: RAL 5012 (blue), RAL 3020 (red), RAL 6018 (green), RAL 1017 (yellow), or RAL 7024 (grey).



Other RAL colors are available at an additional cost.

# OG20 BACK EXTENSION

## D I M E N S I O N S

Length	1960 mm
Width	750 mm
Height	1500 mm
Equipment weight	79kg

## M A T E R I A L

Metal parts	Steel
Tube strengths	3-6 mm
Coating solution	Zink and powder coating

## C O U N T R Y / S T A N D A R D

Country of manufacture	Finland
Standard	EN16630

## B A S E O P T I O N S

- A. Concrete Surface mounting to concrete
- B. Platform Installed on movable platform

## F O U N D A T I O N

For example: artificial turf or moldable safety platform

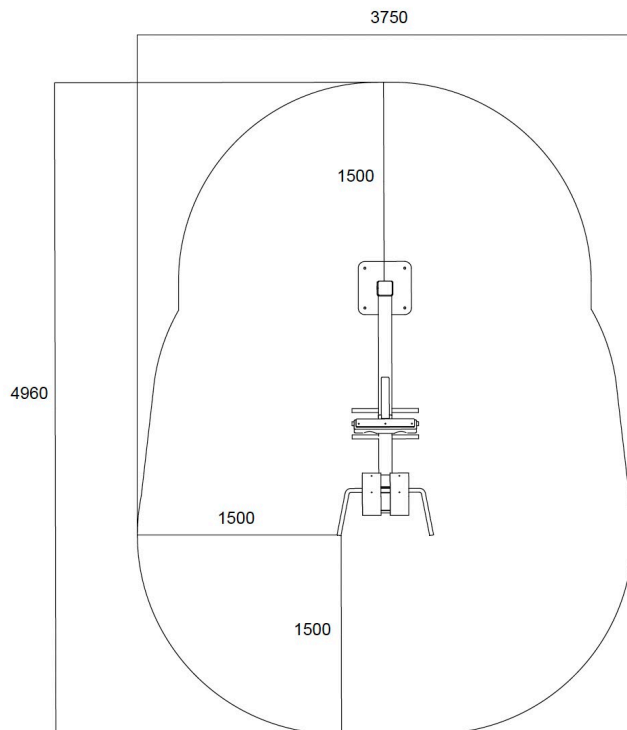
Concrete min 120 mm below equipment

Ground frost insulation, thickness based on the ground

Instruction guide included in delivery:

installation instructions, maintenance, usage info.

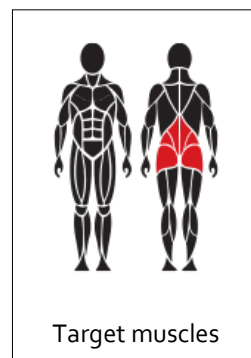
Contact: [info@omnigym.com](mailto:info@omnigym.com)



## EN16630

# OG21 ADJUSTABLE BACK EXTENSION

## PRODUCT GUIDE



## PRODUCT FEATURES

- Effective and safe exercise equipment
- Adjustable pelvic support (height)
- Soft and ergonomical leg support
- Maintenance-free
- Can be installed on a movable platform

## COLOR OPTIONS

The product comes as standard in Black RAL 7021

# OG21 ADJUSTABLE BACK EXTENSION

## D I M E N S I O N S

Length	902mm
Width	742 mm
Height	674 mm
Equipment weight	44 kg

## M A T E R I A L

Metal parts	Steel
Mounting post	Stainless steel
Tube strengths	3-6 mm
Coating solution	Zink and powder coating electropolishing

## C O U N T R Y / S T A N D A R D

Country of manufacture	Finland
Standard	EN16630

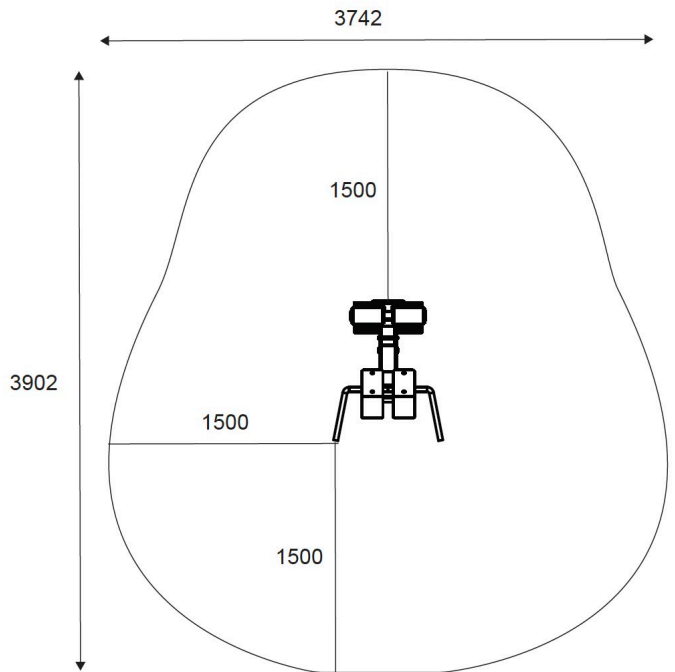
## B A S E O P T I O N S

- A. Concrete      Surface mounting to concrete
- B. Platform      Installed on movable platform

## F O U N D A T I O N

- For example: artificial turf or moldable safety platform
- Concrete min 120 mm below equipment
- Ground frost insulation, thickness based on the ground

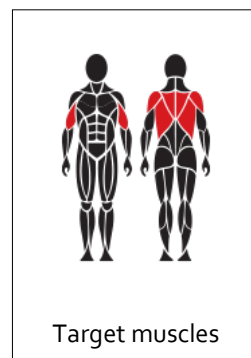
Instruction guide included in delivery:  
installation instructions, maintenance, usage info.  
Contact: [info@omnigym.com](mailto:info@omnigym.com)



## EN16630

# OG22 SEATED ROW

## PRODUCT GUIDE



## PRODUCT FEATURES

- Effective and safe exercise equipment
- Adjustable loading:
  - 5-150 kg (2 x weight unit)
  - 2,5 kg increments
- Multigrip
- Adjustable seat (height)
- Adjustable chest support (distance)
- Grip bar for unilateral exercises
- Maintenance-free
- Can be installed on a movable platform

## COLOR OPTIONS

The product comes as standard in RAL Classic colors:  
RAL 5012 (blue), RAL 3020 (red), RAL 6018 (green)  
RAL 1017 (yellow), or RAL 7024 (grey).



Other RAL colors are available at an additional cost.

# OG22 SEATED ROW

## D I M E N S I O N S

Length	1694 mm
Width	1515 mm
Height	999 mm
Equipment weight	258kg (2 x weight unit)

## M A T E R I A L

Metal parts	Steel
Movement arm	Stainless steel
Tube strengths	3-6 mm
Coating solution	Zink and powder coating electropolishing

## C O U N T R Y / S T A N D A R D

Country of manufacture	Finland
Standard	EN16630

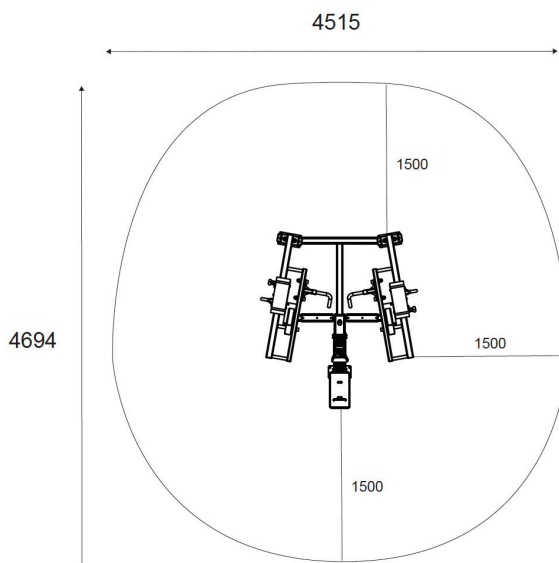
## B A S E O P T I O N S

- A. Concrete Surface mounting to concrete
- B. Platform Installed on movable platform

## F O U N D A T I O N

For example: artificial turf or moldable safety platform  
Concrete min 120 mm below equipment  
Ground frost insulation, thickness based on the ground

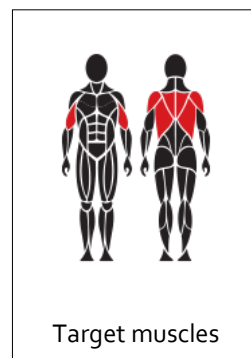
Instruction guide included in delivery:  
installation instructions, maintenance, usage info.  
Contact: [info@omnigym.com](mailto:info@omnigym.com)



## EN16630

# OG23 LOW ROW

## PRODUCT GUIDE



## PRODUCT FEATURES

- Effective and safe exercise equipment
- Adjustable loading:
  - 20-70 kg (1 x weight unit)
  - 2,5 kg increments
- Multigrip (height, width)
- Maintenance-free
- Can be installed on a movable platform

## COLOR OPTIONS

The product comes as standard in RAL Classic colors:  
RAL 5012 (blue), RAL 3020 (red), RAL 6018 (green)  
RAL 1017 (yellow), or RAL 7024 (grey).



Other RAL colors are available at an additional cost.

# OG23 LOW ROW

## D I M E N S I O N S

Length	2060 mm
Width	850 mm
Height	1410 mm
Equipment weight	128 kg (1 x weight unit)

## M A T E R I A L

Metal parts	Steel
Movement arm	Stainless steel
Tube strengths	3-6 mm
Coating solution	Zink and powder coating electropolishing

## C O U N T R Y / S T A N D A R D

Country of manufacture	Finland
Standard	EN16630

## B A S E O P T I O N S

- A. Concrete Surface mounting to concrete
- B. Platform Installed on movable platform

## F O U N D A T I O N

For example: artificial turf or moldable safety platform

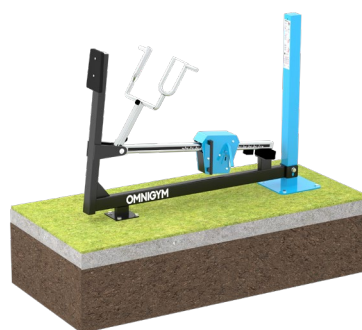
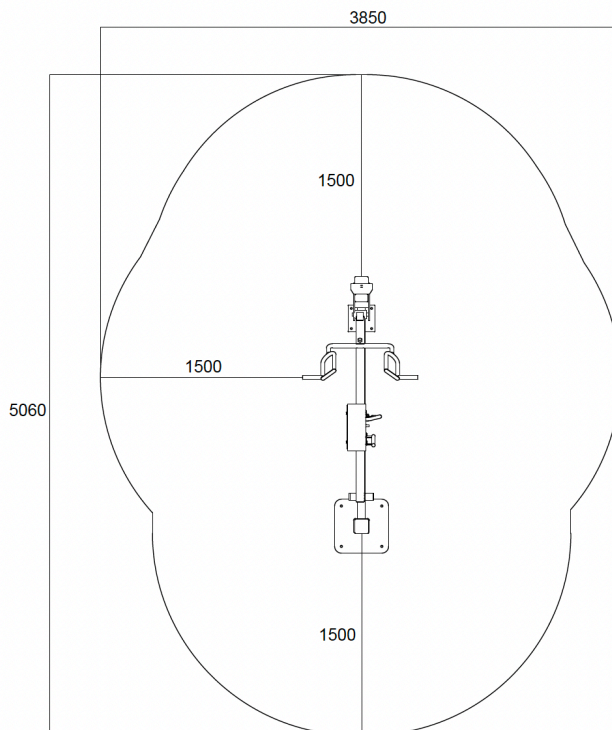
Concrete min 120 mm below equipment

Ground frost insulation, thickness based on the ground

Instruction guide included in delivery:

installation instructions, maintenance, usage info.

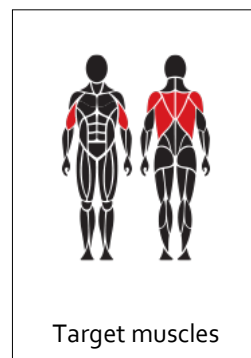
Contact: [info@omnigym.com](mailto:info@omnigym.com)



## EN16630

# OG24 LAT PULLDOWN

## PRODUCT GUIDE



## PRODUCT FEATURES

- Effective and safe exercise equipment
- Adjustable loading:
  - 10-100 kg (2 x weight unit)
  - 2,5 kg increments
- Multigrip (height, width)
- Adjustable seat (height)
- Maintenance-free
- Can be installed on a movable platform

## COLOR OPTIONS

The product comes as standard in RAL Classic colors:  
RAL 5012 (blue), RAL 3020 (red), RAL 6018 (green)  
RAL 1017 (yellow), or RAL 7024 (grey).



Other RAL colors are available at an additional cost.

# OG24 LAT PULLDOWN

## D I M E N S I O N S

Length	1990 mm
Width	1055 mm
Height	1845 mm
Equipment weight	198 kg (2 x weight unit)

## M A T E R I A L

Metal parts	Steel
Movement arm	Stainless steel
Tube strengths	3-6 mm
Coating solution	Zink and powder coating electropolishing

## C O U N T R Y / S T A N D A R D

Country of manufacture	Finland
Standard	EN16630

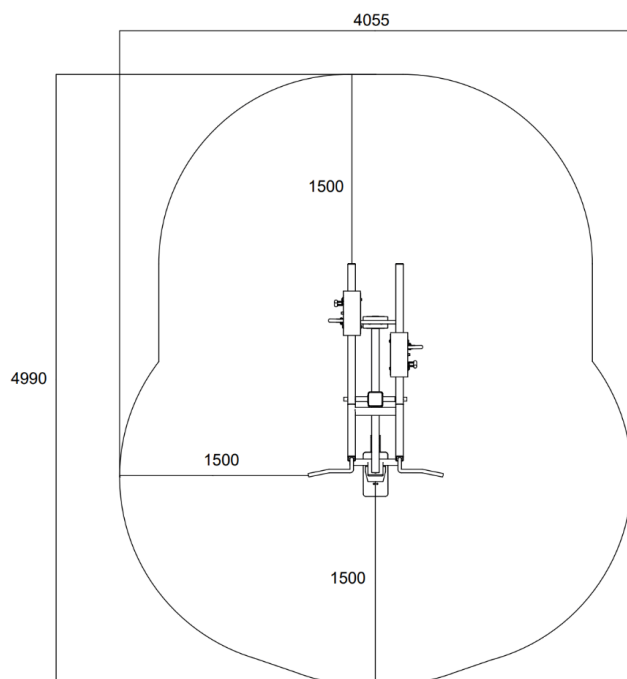
## B A S E O P T I O N S

- A. Concrete Surface mounting to concrete
- B. Platform Installed on movable platform

## F O U N D A T I O N

For example: artificial turf or moldable safety platform  
Concrete min 120 mm below equipment  
Ground frost insulation, thickness based on the ground

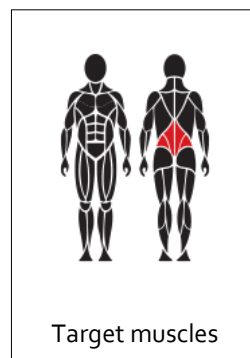
Instruction guide included in delivery:  
installation instructions, maintenance, usage info.  
Contact: [info@omnigym.com](mailto:info@omnigym.com)



## EN16630

# OG26 SEATED BACK EXTENSION

## PRODUCT GUIDE



## PRODUCT FEATURES

- Effective and safe exercise equipment
- Adjustable loading:
  - 12,5-70 kg (1 x weight unit)
  - 2,5 kg increments
- Adjustable seat (height)
- Contoured back support
- Maintenance-free
- Can be installed on a movable platform

## COLOR OPTIONS

The product comes as standard in RAL Classic colors:  
RAL 5012 (blue), RAL 3020 (red), RAL 6018 (green)  
RAL 1017 (yellow), or RAL 7024 (grey).



Other RAL colors are available at an additional cost.

# OG26 SEATED BACK EXTENSION

## D I M E N S I O N S

Length	1263 mm
Width	1136 mm
Height	1246 mm
Equipment weight	118 kg (1 x weight unit)

## M A T E R I A L

Metal parts	Steel
Movement arm	Stainless steel
Tube strengths	3-6 mm
Coating solution	Zink and powder coating electropolishing

## C O U N T R Y / S T A N D A R D

Country of manufacture	Finland
Standard	EN16630

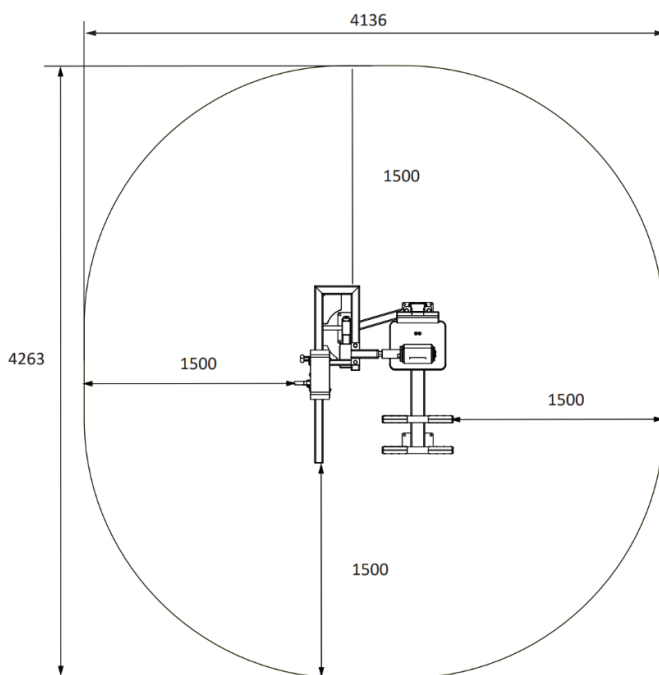
## B A S E O P T I O N S

- A. Concrete Surface mounting to concrete
- B. Platform Installed on movable platform

## F O U N D A T I O N

For example: artificial turf or moldable safety platform  
Concrete min 120 mm below equipment  
Ground frost insulation, thickness based on the ground

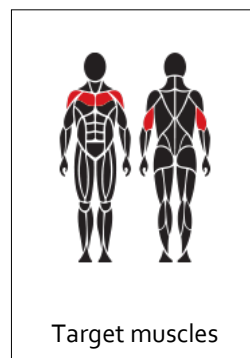
Instruction guide included in delivery:  
installation instructions, maintenance, usage info.  
Contact: [info@omnigym.com](mailto:info@omnigym.com)



## EN16630

# OG30 BENCH PRESS

## PRODUCT GUIDE



## PRODUCT FEATURES

- Effective and safe exercise equipment
- Adjustable loading:
  - 10-85 kg (2 x weight unit)
  - 5 kg increments
- Multigrip (height)
- Maintenance-free
- Can be installed on a movable platform

## COLOR OPTIONS

The product comes as standard in RAL Classic colors:  
RAL 5012 (blue), RAL 3020 (red), RAL 6018 (green)  
RAL 1017 (yellow), or RAL 7024 (grey).



Other RAL colors are available at an additional cost.

# OG30 BENCH PRESS

## D I M E N S I O N S

Length	2760 mm
Width	930 mm
Height	1413 mm
Equipment weight	227 kg (2 x weight unit)

## M A T E R I A L

Metal parts	Steel
Movement arm	Stainless steel
Tube strengths	3-6 mm
Coating solution	Zink and powder coating electropolishing

## C O U N T R Y / S T A N D A R D

Country of manufacture	Finland
Standard	EN16630

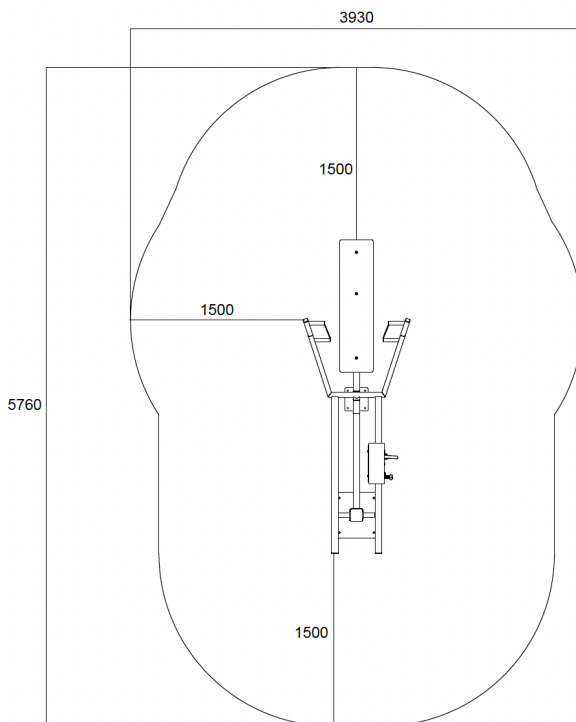
## B A S E O P T I O N S

- A. Concrete Surface mounting to concrete
- B. Platform Installed on movable platform

## F O U N D A T I O N

For example: artificial turf or moldable safety platform  
Concrete min 120 mm below equipment  
Ground frost insulation, thickness based on the ground

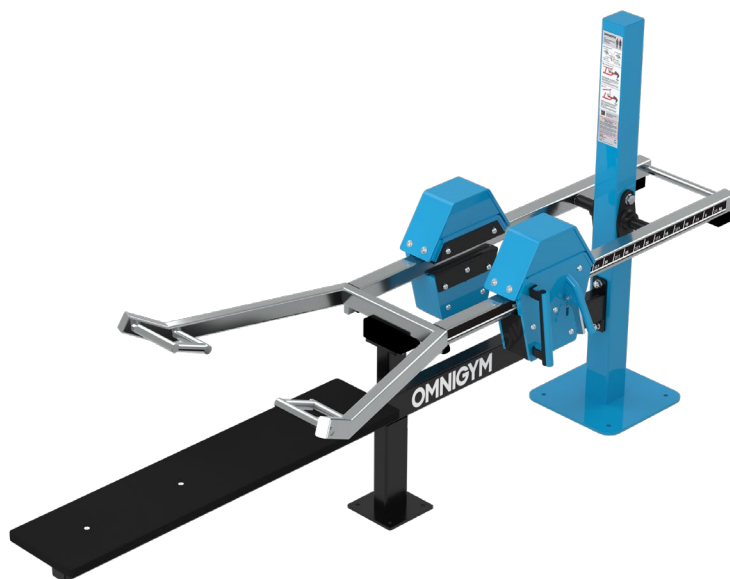
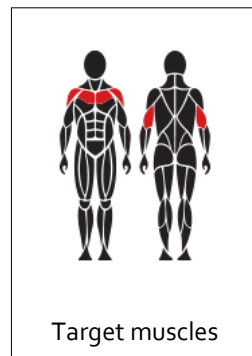
Instruction guide included in delivery:  
installation instructions, maintenance, usage info.  
Contact: [info@omnigym.com](mailto:info@omnigym.com)



## EN16630

# OG30U BENCH PRESS

## PRODUCT GUIDE



## PRODUCT FEATURES

- Effective and safe exercise equipment
- Adjustable loading:
  - 5-100 kg (2 x weight unit)
  - 2,5 kg increments
- Multigrip (height)
- Maintenance-free
- Can be installed on a movable platform

## COLOR OPTIONS

The product comes as standard in RAL Classic colors:  
RAL 5012 (blue), RAL 3020 (red), RAL 6018 (green)  
RAL 1017 (yellow), or RAL 7024 (grey).



Other RAL colors are available at an additional cost.

# OG30U BENCH PRESS

## D I M E N S I O N S

Length	2847 mm
Width	930 mm
Height	1413 mm
Equipment weight	287 kg (2 x weight unit)

## M A T E R I A L

Metal parts	Steel
Movement arm	Stainless steel
Tube strengths	3-6 mm
Coating solution	Zink and powder coating electropolishing

## C O U N T R Y / S T A N D A R D

Country of manufacture	Finland
Standard	EN16630

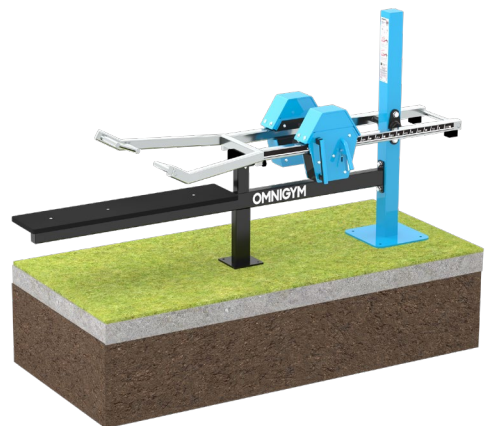
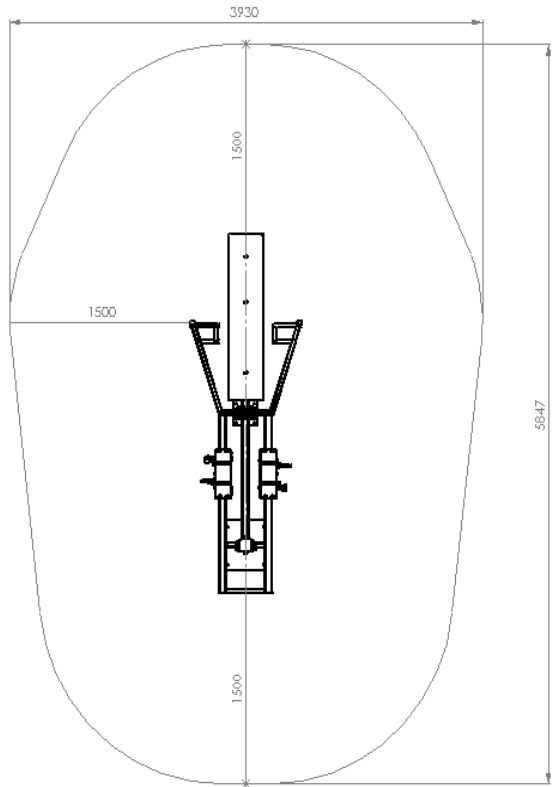
## B A S E O P T I O N S

A. Concrete	Surface mounting to concrete
B. Platform	Installed on movable platform

## F O U N D A T I O N

For example: artificial turf or moldable safety platform  
Concrete min 120 mm below equipment  
Ground frost insulation, thickness based on the ground

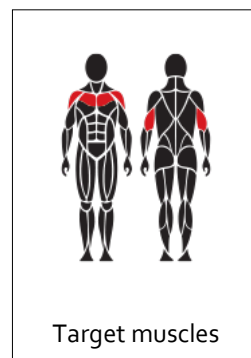
Instruction guide included in delivery:  
installation instructions, maintenance, usage info.  
Contact: [info@omnigym.com](mailto:info@omnigym.com)



## EN16630

# OG31 INCLINE BENCH PRESS

## PRODUCT GUIDE



## PRODUCT FEATURES

- Effective and safe exercise equipment
- Adjustable loading:
  - 10-85 kg (2 x weight unit)
  - 5 kg increments
- Adjustable seat (height)
- Multigrip (height)
- Maintenance-free
- Can be installed on a movable platform

## COLOR OPTIONS

The product comes as standard in RAL Classic colors:  
RAL 5012 (blue), RAL 3020 (red), RAL 6018 (green)  
RAL 1017 (yellow), or RAL 7024 (grey).



Other RAL colors are available at an additional cost.

# OG31 INCLINE BENCH PRESS

## D I M E N S I O N S

Length	2595 mm
Width	930 mm
Height	1413 mm
Equipment weight	234 kg (2 x weight unit)

## M A T E R I A L

Metal parts	Steel
Movement arm	Stainless steel
Tube strengths	3-6 mm
Coating solution	Zink and powder coating electropolishing

## C O U N T R Y / S T A N D A R D

Country of manufacture	Finland
Standard	EN16630

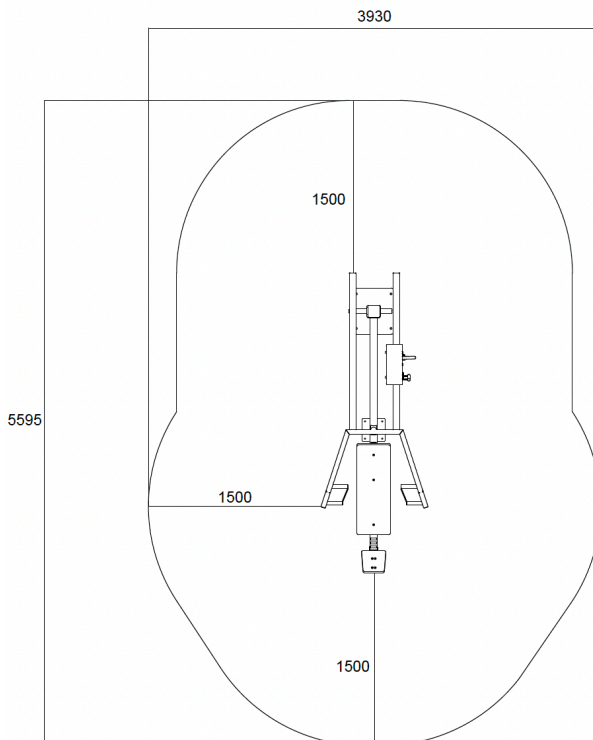
## B A S E O P T I O N S

- A. Concrete Surface mounting to concrete
- B. Platform Installed on movable platform

## F O U N D A T I O N

For example: artificial turf or moldable safety platform  
Concrete min 120 mm below equipment  
Ground frost insulation, thickness based on the ground

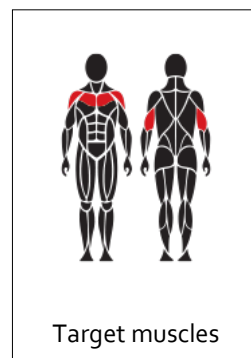
Instruction guide included in delivery:  
installation instructions, maintenance, usage info.  
Contact: [info@omnigym.com](mailto:info@omnigym.com)



## EN16630

# OG31U INCLINE BENCH PRESS

## PRODUCT GUIDE



## PRODUCT FEATURES

- Effective and safe exercise equipment
- Adjustable loading:
  - 5-100 kg (2 x weight unit)
  - 2,5 kg increments
- Adjustable seat (height)
- Multigrip (height)
- Maintenance-free
- Can be installed on a movable platform

## COLOR OPTIONS

The product comes as standard in RAL Classic colors:  
RAL 5012 (blue), RAL 3020 (red), RAL 6018 (green)  
RAL 1017 (yellow), or RAL 7024 (grey).



Other RAL colors are available at an additional cost.

# OG31U INCLINE BENCH PRESS

## D I M E N S I O N S

Length	2693 mm
Width	930 mm
Height	1413 mm
Equipment weight	294 kg (2 x weight unit)

## M A T E R I A L

Metal parts	Steel
Movement arm	Stainless steel
Tube strengths	3-6 mm
Coating solution	Zink and powder coating electropolishing

## C O U N T R Y / S T A N D A R D

Country of manufacture	Finland
Standard	EN16630

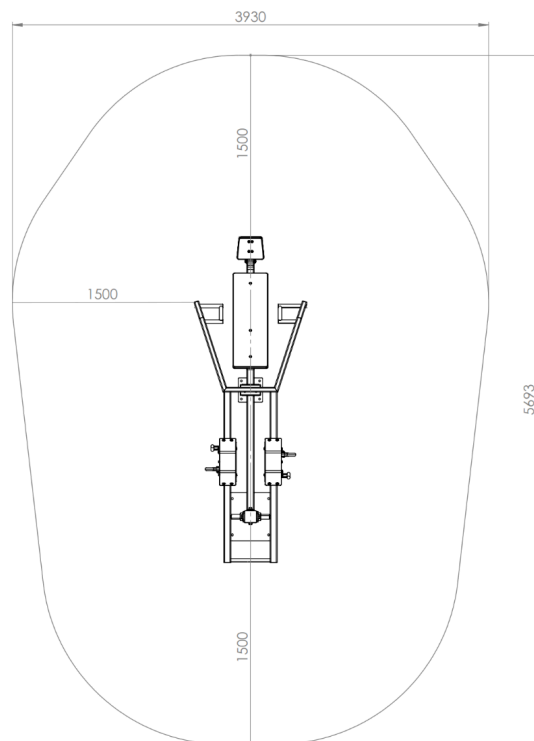
## B A S E O P T I O N S

A. Concrete	Surface mounting to concrete
B. Platform	Installed on movable platform

## F O U N D A T I O N

For example: artificial turf or moldable safety platform  
Concrete min 120 mm below equipment  
Ground frost insulation, thickness based on the ground

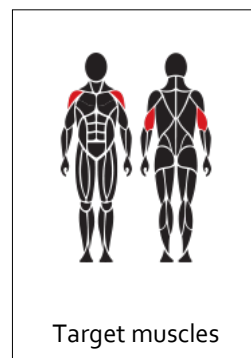
Instruction guide included in delivery:  
installation instructions, maintenance, usage info.  
Contact: [info@omnigym.com](mailto:info@omnigym.com)



## EN16630

# OG41 FRONT PRESS

## PRODUCT GUIDE



## PRODUCT FEATURES

- Effective and safe exercise equipment
- Adjustable loading:
  - 10-85 kg (2 x weight unit)
  - 5 kg increments
- Multigrip (height)
- Maintenance-free
- Can be installed on a movable platform

## COLOR OPTIONS

The product comes as standard in RAL Classic colors:  
RAL 5012 (blue), RAL 3020 (red), RAL 6018 (green)  
RAL 1017 (yellow), or RAL 7024 (grey).



Other RAL colors are available at an additional cost.

# OG41 FRONT PRESS

## D I M E N S I O N S

Length	2350 mm
Width	930 mm
Height	1413 mm
Equipment weight	232 kg (2 x weight unit)

## M A T E R I A L

Metal parts	Steel
Movement arm	Stainless steel
Tube strengths	3-6 mm
Coating solution	Zink and powder coating electropolishing

## C O U N T R Y / S T A N D A R D

Country of manufacture	Finland
Standard	EN16630

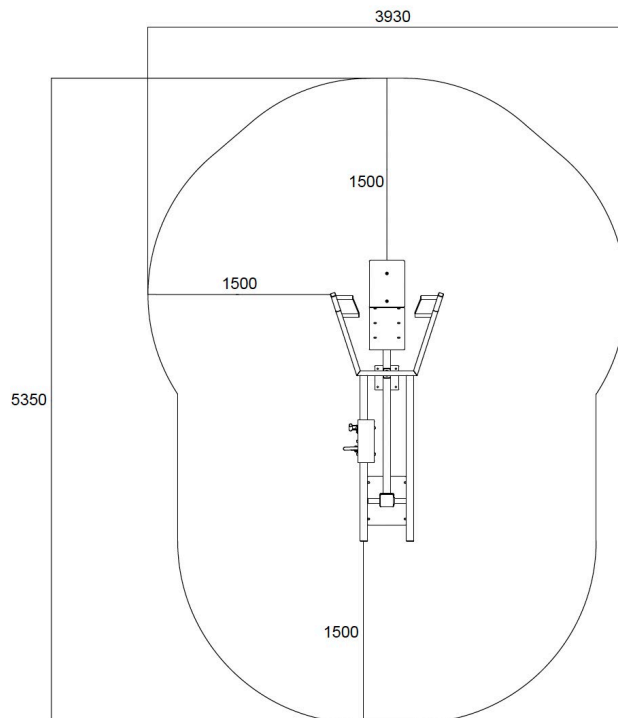
## B A S E O P T I O N S

- A. Concrete Surface mounting to concrete
- B. Platform Installed on movable platform

## F O U N D A T I O N

For example: artificial turf or moldable safety platform  
Concrete min 120 mm below equipment  
Ground frost insulation, thickness based on the ground

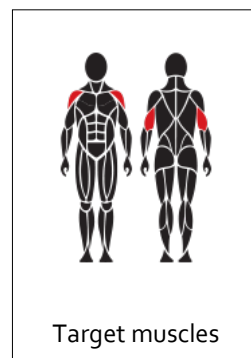
Instruction guide included in delivery:  
installation instructions, maintenance, usage info.  
Contact: [info@omnigym.com](mailto:info@omnigym.com)



## EN16630

# OG41U FRONT PRESS

## PRODUCT GUIDE



## PRODUCT FEATURES

- Effective and safe exercise equipment
- Adjustable loading:
  - 5-80 kg (2 x weight unit)
  - 2,5 kg increments
- Adjustable seat
- Multigrip (height)
- Maintenance-free
- Can be installed on a movable platform

## COLOR OPTIONS

The product comes as standard in RAL Classic colors:  
RAL 5012 (blue), RAL 3020 (red), RAL 6018 (green)  
RAL 1017 (yellow), or RAL 7024 (grey).



Other RAL colors are available at an additional cost.

# OG41U FRONT PRESS

## D I M E N S I O N S

Length	2570 mm
Width	930 mm
Height	1413 mm
Equipment weight	239 kg (2 x weight unit)

## M A T E R I A L

Metal parts	Steel
Movement arm	Stainless steel
Tube strengths	3-6 mm
Coating solution	Zink and powder coating electropolishing

## C O U N T R Y / S T A N D A R D

Country of manufacture	Finland
Standard	EN16630

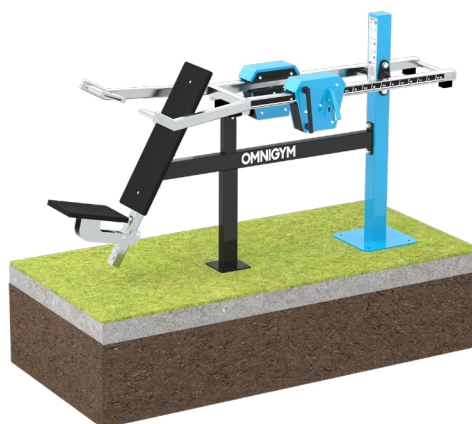
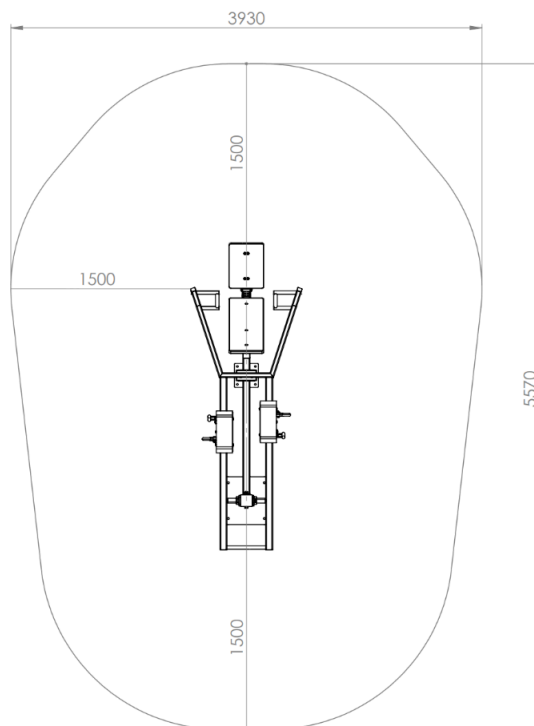
## B A S E O P T I O N S

- A. Concrete Surface mounting to concrete
- B. Platform Installed on movable platform

## F O U N D A T I O N

For example: artificial turf or moldable safety platform  
Concrete min 120 mm below equipment  
Ground frost insulation, thickness based on the ground

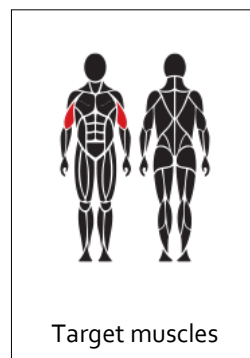
Instruction guide included in delivery:  
installation instructions, maintenance, usage info.  
Contact: [info@omnigym.com](mailto:info@omnigym.com)



## EN16630

# OG70 BICEPS CURL

## PRODUCT GUIDE



## PRODUCT FEATURES

- Effective and safe exercise equipment
- Adjustable loading:
  - 12,5-82,5 kg (2 x weight unit)
  - 2,5 kg increments
- Multigrip (width)
- Maintenance-free
- Can be installed on a movable platform

## COLOR OPTIONS

The product comes as standard in RAL Classic colors:  
RAL 5012 (blue), RAL 3020 (red), RAL 6018 (green)  
RAL 1017 (yellow), or RAL 7024 (grey).



Other RAL colors are available at an additional cost.

# OG70 BICEPS CURL

## D I M E N S I O N S

Length	2195 mm
Width	740 mm
Height	1413 mm
Equipment weight	207 kg (2 x weight unit)

## M A T E R I A L

Metal parts	Steel
Movement arm	Stainless steel
Tube strengths	3-6 mm
Coating solution	Zink and powder coating electropolishing

## C O U N T R Y / S T A N D A R D

Country of manufacture	Finland
Standard	EN16630

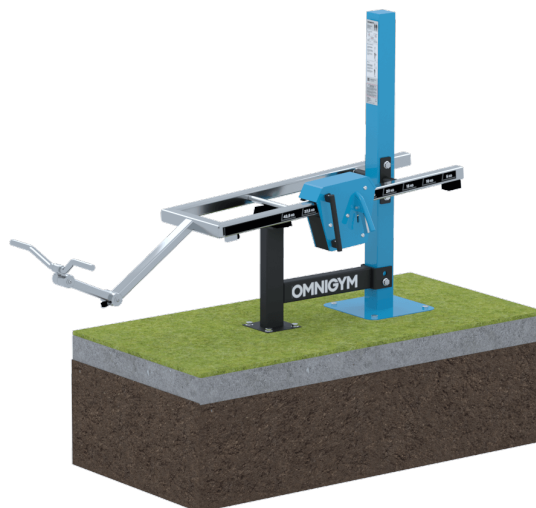
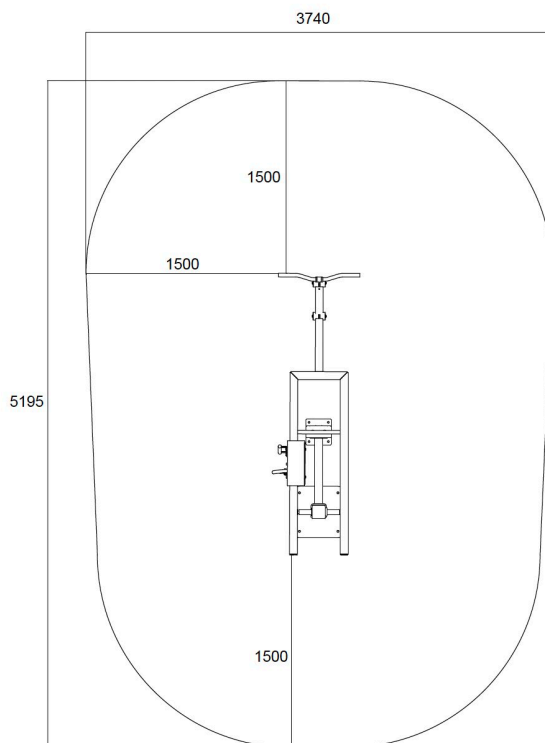
## B A S E O P T I O N S

- A. Concrete Surface mounting to concrete
- B. Platform Installed on movable platform

## F O U N D A T I O N

For example: artificial turf or moldable safety platform  
Concrete min 120 mm below equipment  
Ground frost insulation, thickness based on the ground

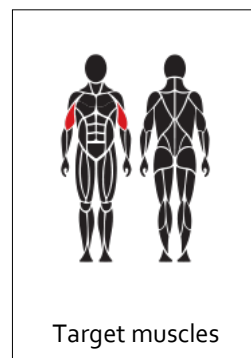
Instruction guide included in delivery:  
installation instructions, maintenance, usage info.  
Contact: [info@omnigym.com](mailto:info@omnigym.com)



**EN16630**

# OG72 SEATED BICEPS CURL

## PRODUCT GUIDE



## PRODUCT FEATURES

- Effective and safe exercise equipment
- Adjustable loading:
  - 10-50 kg (1 x weight unit)
  - 2,5 kg increments
- Adjustable seat (height)
- Multigrip (width)
- Maintenance-free
- Can be installed on a movable platform

## COLOR OPTIONS

The product comes as standard in RAL Classic colors:  
RAL 5012 (blue), RAL 3020 (red), RAL 6018 (green)  
RAL 1017 (yellow), or RAL 7024 (grey).



Other RAL colors are available at an additional cost.

# OG72 SEATED BICEPS CURL

## D I M E N S I O N S

Length	1460 mm
Width	1260 mm
Height	970 mm
Equipment weight	190 kg (1 x weight unit)

## M A T E R I A L

Metal parts	Steel
Movement arm	Stainless steel
Tube strengths	3-6 mm
Coating solution	Zink and powder coating electropolishing

## C O U N T R Y / S T A N D A R D

Country of manufacture	Finland
Standard	EN16630

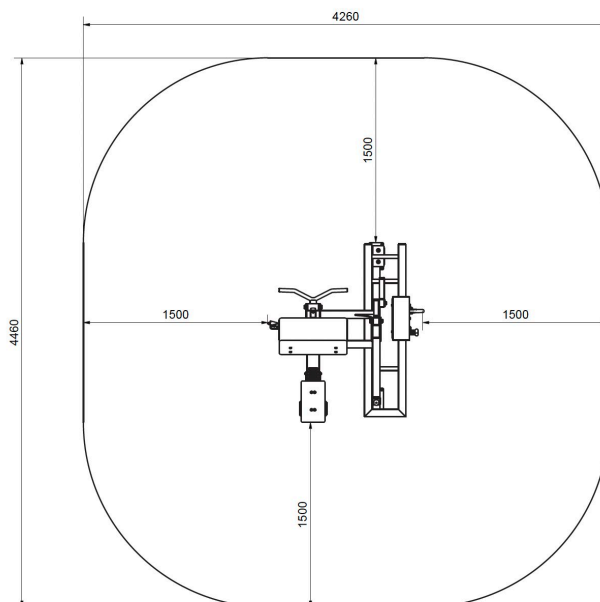
## B A S E O P T I O N S

- A. Concrete Surface mounting to concrete
- B. Platform Installed on movable platform

## F O U N D A T I O N

For example: artificial turf or moldable safety platform  
Concrete min 120 mm below equipment  
Ground frost insulation, thickness based on the ground

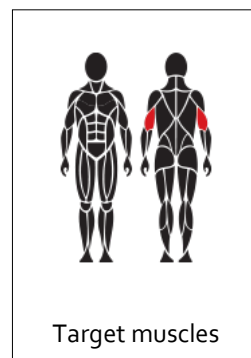
Instruction guide included in delivery:  
installation instructions, maintenance, usage info.  
Contact: [info@omnigym.com](mailto:info@omnigym.com)



## EN16630

# OG80 TRICEPS PRESS

## PRODUCT GUIDE



## PRODUCT FEATURES

- Effective and safe exercise equipment
- Adjustable loading:
  - 10-60 kg (1 x weight unit)
  - 2,5 kg increments
- Multigrip (width)
- Maintenance-free
- Can be installed on a movable platform

## COLOR OPTIONS

The product comes as standard in RAL Classic colors:  
RAL 5012 (blue), RAL 3020 (red), RAL 6018 (green)  
RAL 1017 (yellow), or RAL 7024 (grey).



Other RAL colors are available at an additional cost.

# OG80 TRICEPS PRESS

## D I M E N S I O N S

Length	2320mm
Width	635 mm
Height	1960 mm
Equipment weight	158 kg (1 x weight unit)

## M A T E R I A L

Metal parts	Steel
Movement arm	Stainless steel
Tube strengths	3-6 mm
Coating solution	Zink and powder coating electropolishing

## C O U N T R Y / S T A N D A R D

Country of manufacture	Finland
Standard	EN16630

## B A S E O P T I O N S

- A. Concrete Surface mounting to concrete
- B. Platform Installed on movable platform

## F O U N D A T I O N

For example: artificial turf or moldable safety platform

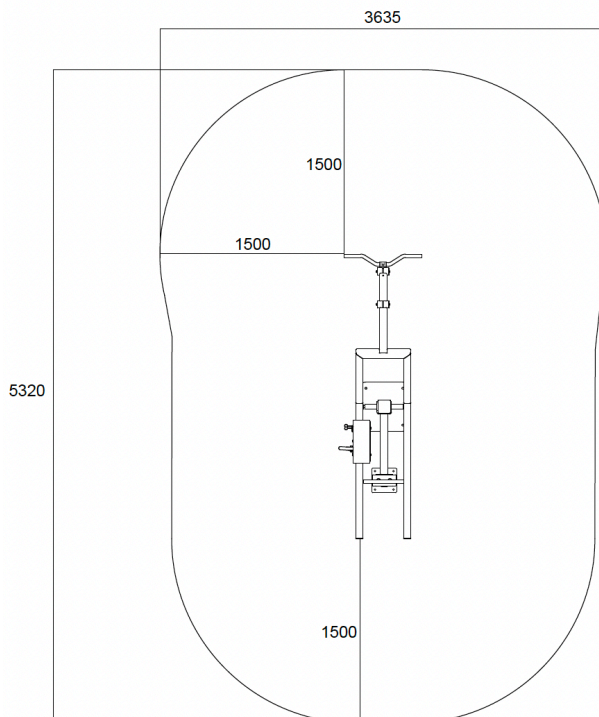
Concrete min 120 mm below equipment

Ground frost insulation, thickness based on the ground

Instruction guide included in delivery:

installation instructions, maintenance, usage info.

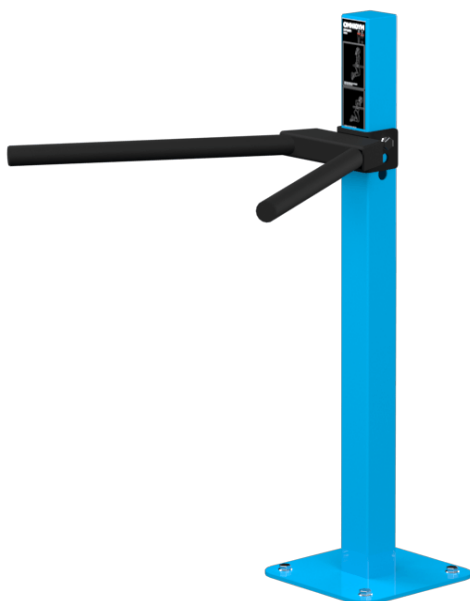
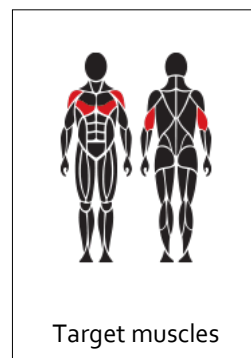
Contact: [info@omnigym.com](mailto:info@omnigym.com)



**EN16630**

# OG81 DIP BARS

## PRODUCT GUIDE



## PRODUCT FEATURES

- Effective and safe exercise equipment
- Multigrip (width+distance)
- Structural black bar for grip
- Maintenance-free
- Can be installed on a movable platform

## COLOR OPTIONS

The product comes as standard in RAL Classic colors: RAL 5012 (blue), RAL 3020 (red), RAL 6018 (green), RAL 1017 (yellow), or RAL 7024 (grey).



Other RAL colors are available at an additional cost.

# OG81 DIP BARS

## D I M E N S I O N S

Length	810 mm
Width	1000 mm
Height	1500 mm
Equipment weight	39 kg

## M A T E R I A L

Metal parts	Steel
Tube strengths	3-6 mm
Coating solution	Zink and powder coating

## C O U N T R Y / S T A N D A R D

Country of manufacture	Finland
Standard	EN16630

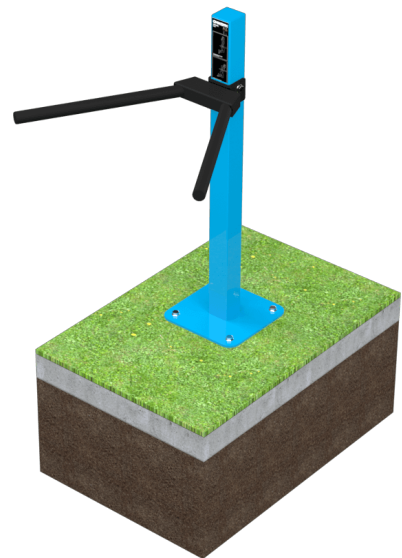
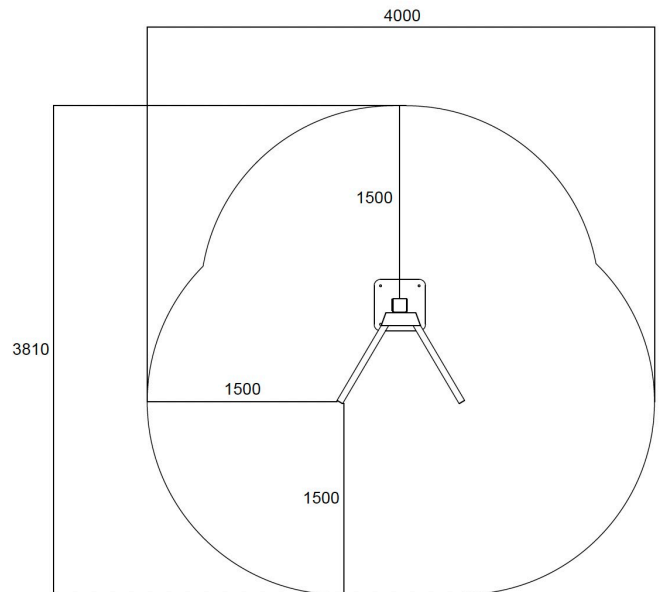
## B A S E O P T I O N S

- A. Concrete Surface mounting to concrete
- B. Platform Installed on movable platform

## F O U N D A T I O N

For example: artificial turf or moldable safety platform  
Concrete min 120 mm below equipment  
Ground frost insulation, thickness based on the ground

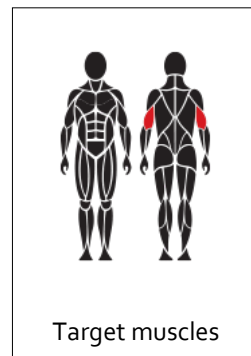
Instruction guide included in delivery:  
installation instructions, maintenance, usage info.  
Contact: [info@omnigym.com](mailto:info@omnigym.com)



## EN16630

# OG82 SEATED TRICEPS EXTENSION

## PRODUCT GUIDE



## PRODUCT FEATURES

- Effective and safe exercise equipment
- Adjustable loading:
  - 5-50 kg (1 x weight unit)
  - 2,5 kg increments
- Adjustable seat (height)
- Maintenance-free
- Can be installed on a movable platform

## COLOR OPTIONS

The product comes as standard in RAL Classic colors:  
RAL 5012 (blue), RAL 3020 (red), RAL 6018 (green)  
RAL 1017 (yellow), or RAL 7024 (grey).



Other RAL colors are available at an additional cost.

# OG82 SEATED TRICEPS EXTENSION

## D I M E N S I O N S

Length	1450 mm
Width	1340 mm
Height	1210 mm
Equipment weight	190 kg (1 x weight unit)

## M A T E R I A L

Metal parts	Steel
Movement arm	Stainless steel
Tube strengths	3-6 mm
Coating solution	Zink and powder coating electropolishing

## C O U N T R Y / S T A N D A R D

Country of manufacture	Finland
Standard	EN16630

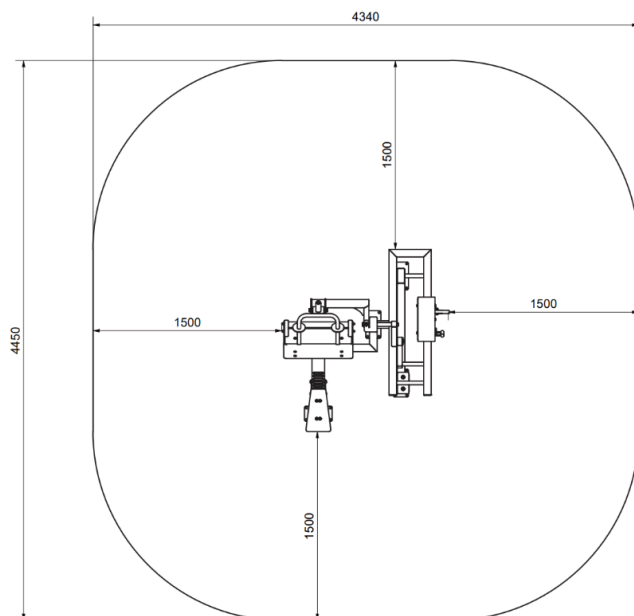
## B A S E O P T I O N S

- A. Concrete Surface mounting to concrete
- B. Platform Installed on movable platform

## F O U N D A T I O N

For example: artificial turf or moldable safety platform  
Concrete min 120 mm below equipment  
Ground frost insulation, thickness based on the ground

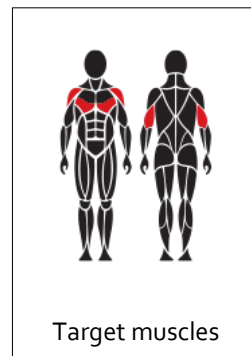
Instruction guide included in delivery:  
installation instructions, maintenance, usage info.  
Contact: [info@omnigym.com](mailto:info@omnigym.com)



**EN16630**

# OG85 SEATED DIP

## PRODUCT GUIDE



## PRODUCT FEATURES

- Effective and safe exercise equipment
- Adjustable loading:
  - 17,5-80 kg (1 x weight unit)
  - 2,5 kg increments
- Adjustable grip width
- Maintenance-free
- Can be installed on a movable platform

## COLOR OPTIONS

The product comes as standard in RAL Classic colors:  
RAL 5012 (blue), RAL 3020 (red), RAL 6018 (green)  
RAL 1017 (yellow), or RAL 7024 (grey).



Other RAL colors are available at an additional cost.

# OG85 SEATED DIP

## D I M E N S I O N S

Length	2680 mm
Width	690 mm
Height	930 mm
Equipment weight	150 kg (1 x weight unit)

## M A T E R I A L

Metal parts	Steel
Movement arm	Stainless steel
Tube strengths	3-6 mm
Coating solution	Zink and powder coating electropolishing

## C O U N T R Y / S T A N D A R D

Country of manufacture	Finland
Standard	EN16630

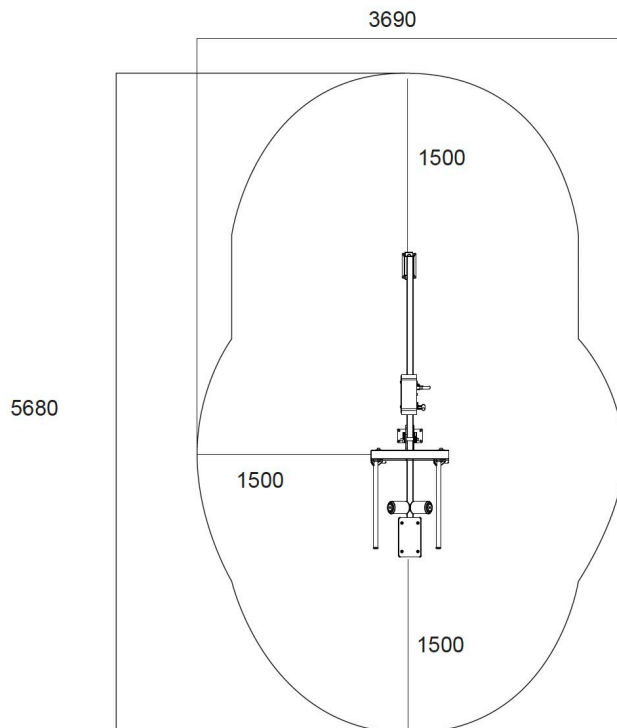
## B A S E O P T I O N S

- A. Concrete Surface mounting to concrete
- B. Platform Installed on movable platform

## F O U N D A T I O N

For example: artificial turf or moldable safety platform  
Concrete min 120 mm below equipment  
Ground frost insulation, thickness based on the ground

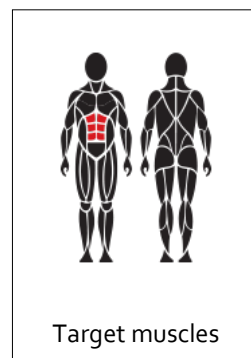
Instruction guide included in delivery:  
installation instructions, maintenance, usage info.  
Contact: [info@omnigym.com](mailto:info@omnigym.com)



## EN16630

# OG90 ABDOMINAL BENCH

## PRODUCT GUIDE



## PRODUCT FEATURES

- Effective and safe exercise equipment
- Contoured back support
- Maintenance-free
- Can be installed on a movable platform

## COLOR OPTIONS

The product comes as standard in RAL Classic colors:  
RAL 5012 (blue), RAL 3020 (red), RAL 6018 (green)  
RAL 1017 (yellow), or RAL 7024 (grey).



Other RAL colors are available at an additional cost.

# OG90 ABDOMINAL BENCH

## D I M E N S I O N S

Length	2020 mm
Width	410 mm
Height	1500 mm
Equipment weight	76 kg

## M A T E R I A L

Metal parts	Steel
Tube strengths	3-6 mm
Coating solution	Zink and powder coating

## C O U N T R Y / S T A N D A R D

Country of manufacture	Finland
Standard	EN16630

## B A S E O P T I O N S

- A. Concrete Surface mounting to concrete
- B. Platform Installed on movable platform

## F O U N D A T I O N

For example: artificial turf or moldable safety platform

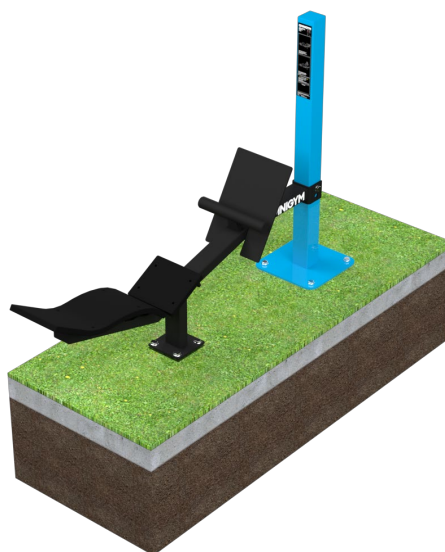
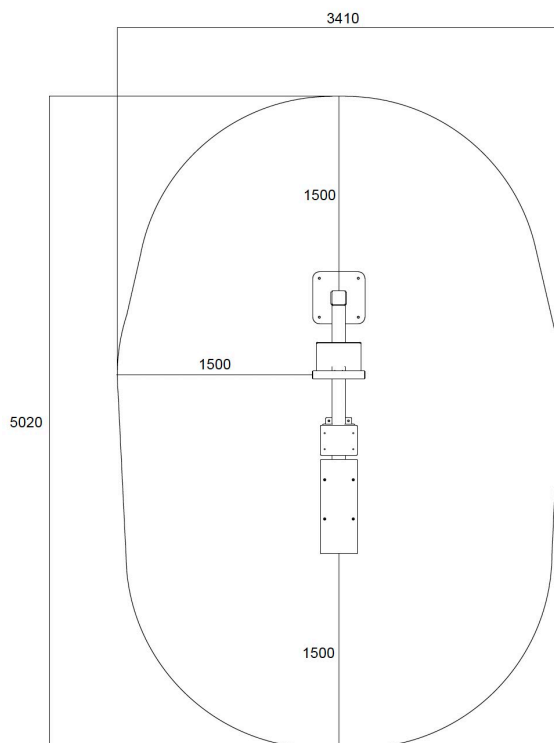
Concrete min 120 mm below equipment

Ground frost insulation, thickness based on the ground

Instruction guide included in delivery:

installation instructions, maintenance, usage info.

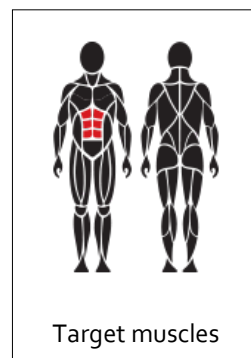
Contact: [info@omnigym.com](mailto:info@omnigym.com)



## EN16630

# OGg1 ADJUSTABLE ABDOMINAL BENCH

## PRODUCT GUIDE



## PRODUCT FEATURES

- Effective and safe exercise equipment
- Adjustable and contoured back support (height)
- Maintenance-free
- Can be installed on a movable platform

## COLOR OPTIONS

The product comes as standard in Black RAL 7021

# OG91 ADJUSTABLE ABDOMINAL BENCH

## D I M E N S I O N S

Length	1834 mm
Width	386 mm
Height	855 mm
Equipment weight	52 kg

## M A T E R I A L

Metal parts	Steel
Tube strengths	3-6 mm
Coating solution	Zink and powder coating

## C O U N T R Y / S T A N D A R D

Country of manufacture	Finland
Standard	EN16630

## B A S E O P T I O N S

- A. Concrete Surface mounting to concrete
- B. Platform Installed on movable platform

## F O U N D A T I O N

For example: artificial turf or moldable safety platform

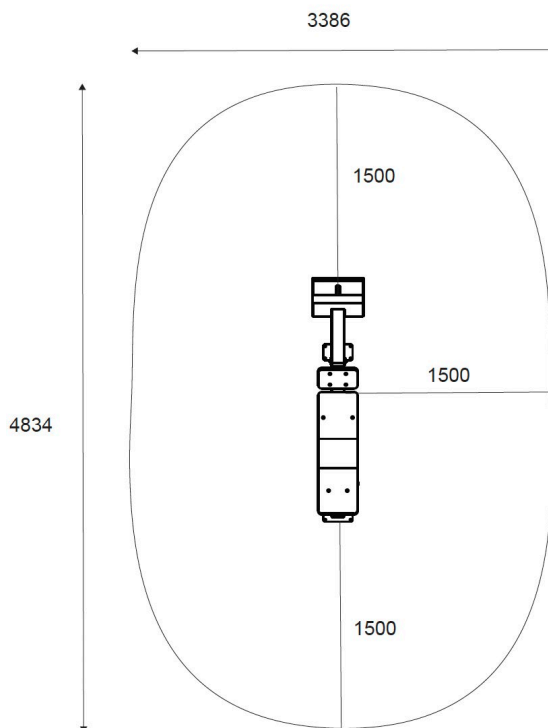
Concrete min 120 mm below equipment

Ground frost insulation, thickness based on the ground

Instruction guide included in delivery:

installation instructions, maintenance, usage info.

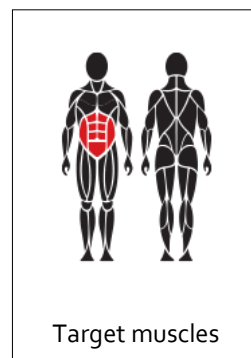
Contact: [info@omnigym.com](mailto:info@omnigym.com)



## EN16630

# OG92 ABDOMINAL MACHINE

## PRODUCT GUIDE



## PRODUCT FEATURES

- Effective and safe exercise equipment
- Adjustable loading:
  - 5-75 kg (1 x weight unit)
  - 5 kg increments
- Soft leg support
- Maintenance-free
- Can be installed on a movable platform

## COLOR OPTIONS

The product comes as standard in RAL Classic colors:  
RAL 5012 (blue), RAL 3020 (red), RAL 6018 (green)  
RAL 1017 (yellow), or RAL 7024 (grey).



Other RAL colors are available at an additional cost.

# OG92 ABDOMINAL MACHINE

## D I M E N S I O N S

Length	1090 mm
Width	1650 mm
Height	1520 mm
Equipment weight	167 kg (1 x weight unit)

## M A T E R I A L

Metal parts	Steel
Movement arm	Stainless steel
Tube strengths	3-6 mm
Coating solution	Zink and powder coating electropolishing

## C O U N T R Y / S T A N D A R D

Country of manufacture	Finland
Standard	EN16630

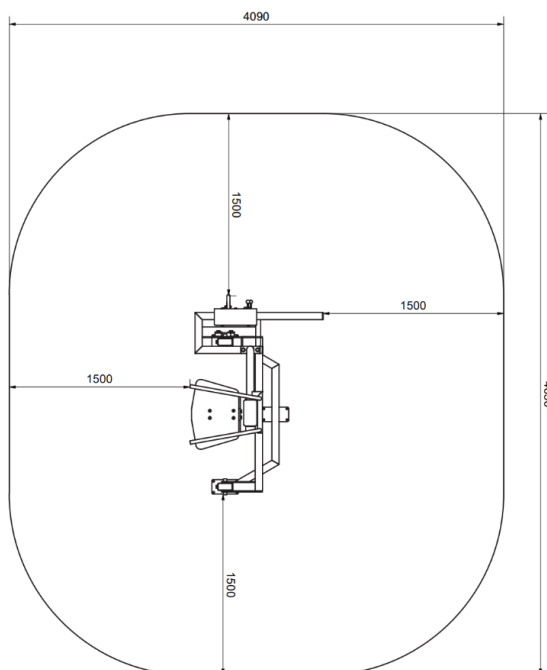
## B A S E O P T I O N S

- A. Concrete Surface mounting to concrete
- B. Platform Installed on movable platform

## F O U N D A T I O N

For example: artificial turf or moldable safety platform  
Concrete min 120 mm below equipment  
Ground frost insulation, thickness based on the ground

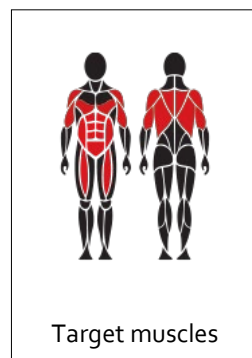
Instruction guide included in delivery:  
installation instructions, maintenance, usage info.  
Contact: [info@omnigym.com](mailto:info@omnigym.com)



**EN16630**

# OG95 LEG RAISE/DIP/CHIN-UP

## PRODUCT GUIDE



## PRODUCT FEATURES

- Effective and safe exercise equipment
- Structural black bar for grip
- Multigrip (width, height)
- Maintenance-free
- Can be installed on a movable platform

## COLOR OPTIONS

The product comes as standard in RAL Classic colors:  
RAL 5012 (blue), RAL 3020 (red), RAL 6018 (green)  
RAL 1017 (yellow), or RAL 7024 (grey).



Other RAL colors are available at an additional cost.

# OG95 LEG RAISE/DIP/CHIN-UP

## D I M E N S I O N S

Length	1550 mm
Width	960 mm
Height	2272 mm
Equipment weight	167 kg

## M A T E R I A L

Metal parts	Steel
Tube strengths	3-6 mm
Coating solution	Zink and powder coating

## C O U N T R Y / S T A N D A R D

Country of manufacture	Finland
Standard	EN16630

## B A S E O P T I O N S

Concrete	Surface mounting to concrete
Platform	Installed on a movable safety platform

## F O U N D A T I O N

Max. free fall height 1199 mm. Safety area must be equipped with impact damping surface such as lawn, artificial grass + padding (22mm) or safety tiles (40mm).

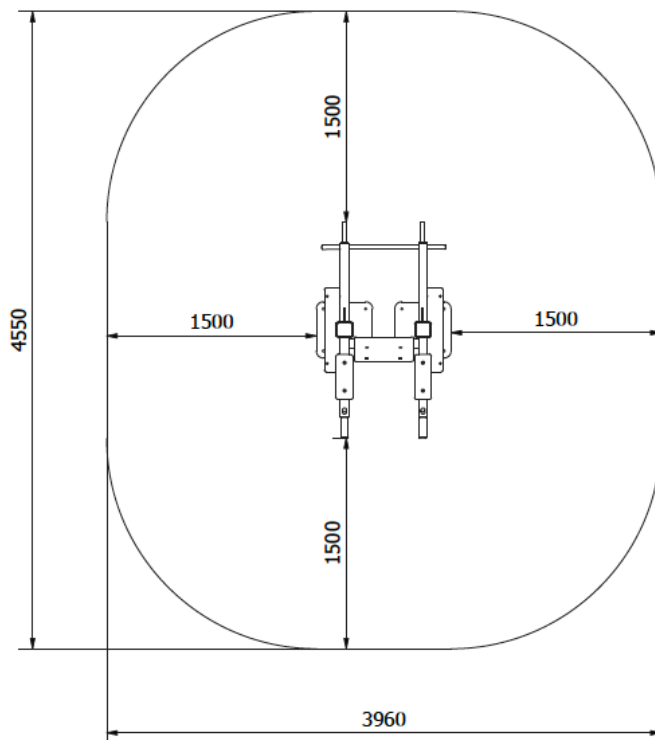
Concrete min 120 mm below equipment

Ground frost insulation, thickness based on the ground

Instruction guide included in delivery:

installation instructions, maintenance, usage info.

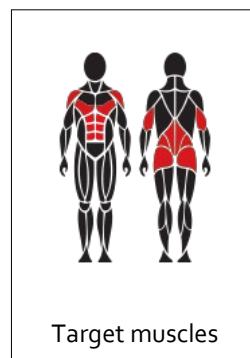
Contact: [info@omnigym.com](mailto:info@omnigym.com)



**EN16630**

# OGC7 CORE RACK

## PRODUCT GUIDE



## PRODUCT FEATURES

- Effective and safe exercise equipment
- Structural black bar for grip
- Contoured back support
- Foot peg with 3 different heights
- Multigrip (width + distance)
- Maintenance-free
- Can be installed on a movable platform

## COLOR OPTIONS

The product comes as standard in RAL Classic colors: RAL 5012 (blue), RAL 3020 (red), RAL 6018 (green), RAL 1017 (yellow), or RAL 7024 (grey).



Other RAL colors are available at an additional cost.

# OGC7 CORE RACK

## D I M E N S I O N S

Length	3840 mm
Width	1135 mm
Height	1500 mm
Equipment weight	149 kg

## M A T E R I A L

Metal parts	Steel
Tube strengths	3-6 mm
Coating solution	Zink and powder coating

## C O U N T R Y / S T A N D A R D

Country of manufacture	Finland
Standard	EN16630

## B A S E O P T I O N S

- A. Concrete Surface mounting to concrete
- B. Platform Installed on movable platform

## F O U N D A T I O N

For example: artificial turf or moldable safety platform

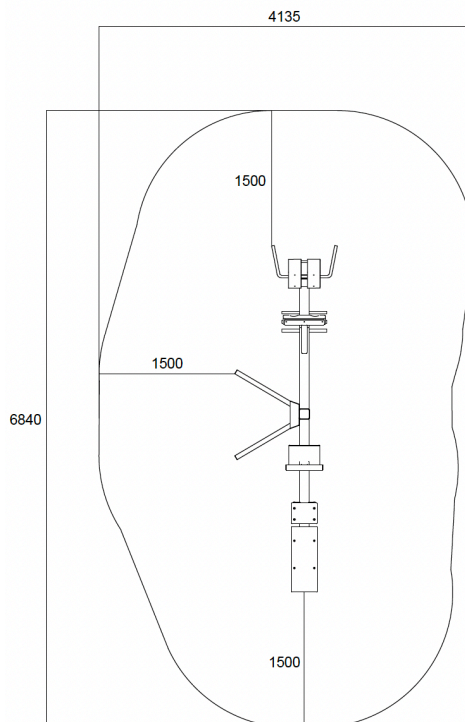
Concrete min 120 mm below equipment

Ground frost insulation, thickness based on the ground

Instruction guide included in delivery:

installation instructions, maintenance, usage info.

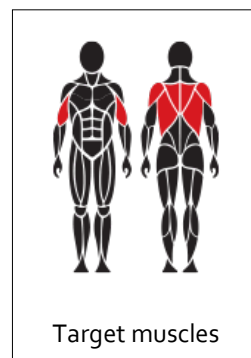
Contact: [info@omnigym.com](mailto:info@omnigym.com)



## EN16630

# OGCU<sub>1</sub> CHIN-UP

## PRODUCT GUIDE



### PRODUCT FEATURES

- Effective and safe exercise equipment
- Structural black bar for grip
- Maintenance-free

### COLOR OPTIONS

The product comes as standard in RAL Classic colors:  
RAL 5012 (blue), RAL 3020 (red), RAL 6018 (green)  
RAL 1017 (yellow), or RAL 7024 (grey).



Other RAL colors are available at an additional cost.

# OGCU<sub>1</sub> CHIN-UP

## D I M E N S I O N S

Length	230 mm
Width	1160 mm
Height	2468 mm (bar 2320 mm)
Equipment weight	55 kg

## M A T E R I A L

Metal parts	Steel
Tube strengths	3-6 mm
Coating solution	Zink and powder coating

## C O U N T R Y / S T A N D A R D

Country of manufacture	Finland
Standard	EN16630

## B A S E O P T I O N S

Concrete	Deep foundation mounting
----------	--------------------------

## F O U N D A T I O N

Max. free fall height 1320 mm. Safety area must be equipped with impact damping surface such as lawn, artificial grass + padding (22mm) or safety tiles (40mm).

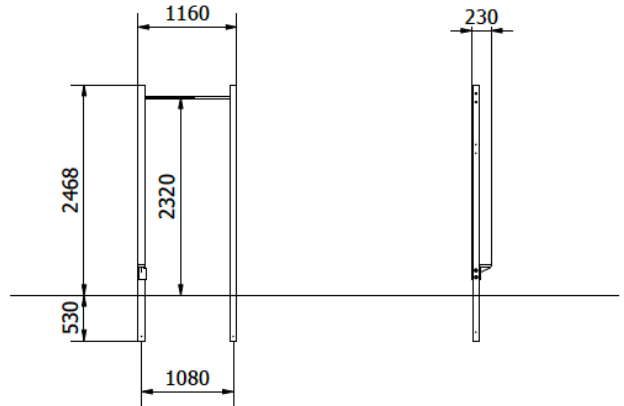
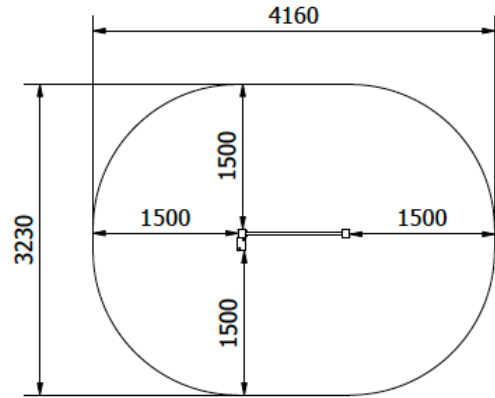
Concrete min 120 mm below equipment

Ground frost insulation, thickness based on the ground

Instruction guide included in delivery:

installation instructions, maintenance, usage info.

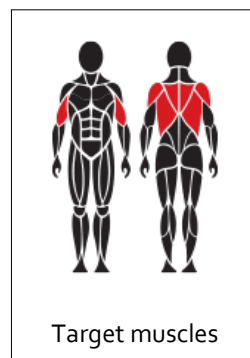
Contact: [info@omnigym.com](mailto:info@omnigym.com)



## EN16630

# OGCU<sub>2</sub> CHIN-UP

## PRODUCT GUIDE



## PRODUCT FEATURES

- Effective and safe exercise equipment
- 2 heights
- Structural black bar for grip
- Maintenance-free

## COLOR OPTIONS

The product comes as standard in RAL Classic colors: RAL 5012 (blue), RAL 3020 (red), RAL 6018 (green), RAL 1017 (yellow), or RAL 7024 (grey).



Other RAL colors are available at an additional cost.

# OGCU2 CHIN-UP

## D I M E N S I O N S

Length	230 mm
Width	2240 mm
Height	2468 mm (bar 1720 / 2320 mm)
Equipment weight	70 kg

## M A T E R I A L

Metal parts	Steel
Tube strengths	3-6 mm
Coating solution	Zink and powder coating

## C O U N T R Y / S T A N D A R D

Country of manufacture	Finland
Standard	EN16630

## B A S E O P T I O N S

Concrete	Deep foundation mounting
----------	--------------------------

## F O U N D A T I O N

Max. free fall height 1320 mm. Safety area must be equipped with impact damping surface such as lawn, artificial grass + padding (22mm) or safety tiles (40mm).

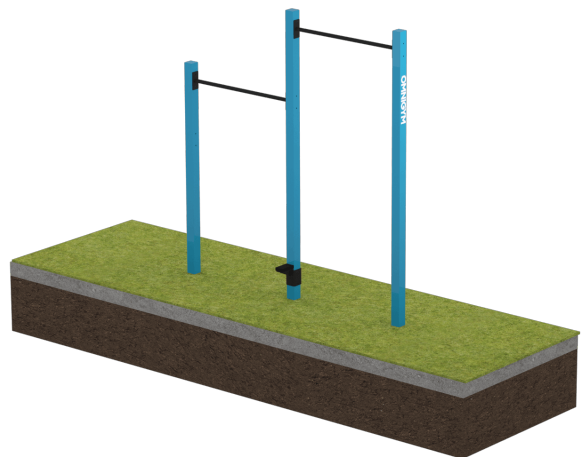
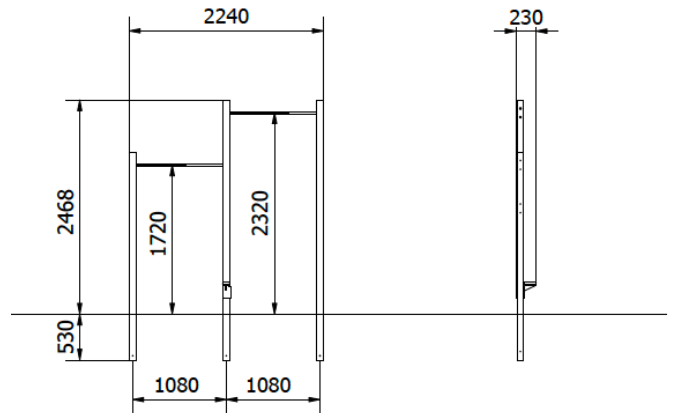
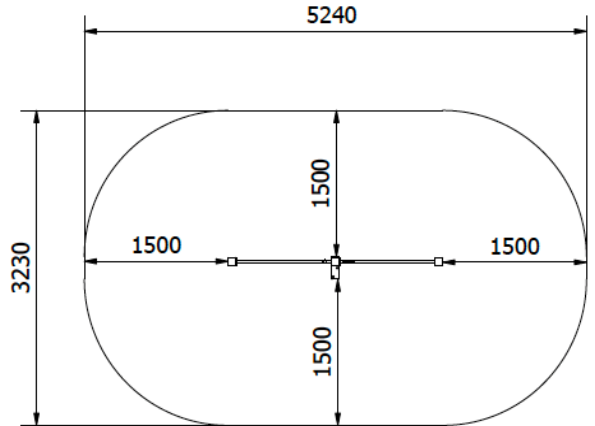
Concrete min 120 mm below equipment

Ground frost insulation, thickness based on the ground

Instruction guide included in delivery:

installation instructions, maintenance, usage info.

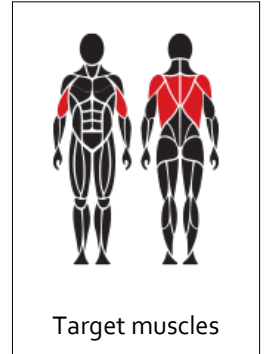
Contact: [info@omnigym.com](mailto:info@omnigym.com)



## EN16630

# OGCU<sub>3</sub> CHIN-UP

## PRODUCT GUIDE



### PRODUCT FEATURES

- Effective and safe exercise equipment
- 3 heights
- Structural black bar for grip
- Maintenance-free

### COLOR OPTIONS

The product comes as standard in RAL Classic colors:  
RAL 5012 (blue), RAL 3020 (red), RAL 6018 (green)  
RAL 1017 (yellow), or RAL 7024 (grey).



Other RAL colors are available at an additional cost.

# OGCU<sub>3</sub> CHIN-UP

## D I M E N S I O N S

Length	230 mm
Width	3320 mm
Height	2468 mm (bar 1220 / 1720 / 2320 mm)
Equipment weight	87 kg

## M A T E R I A L

Metal parts	Steel
Tube strengths	3-6 mm
Coating solution	Zink and powder coating

## C O U N T R Y / S T A N D A R D

Country of manufacture	Finland
Standard	EN16630

## B A S E O P T I O N S

Concrete	Deep foundation mounting
----------	--------------------------

## F O U N D A T I O N

Max. free fall height 1320 mm. Safety area must be equipped with impact damping surface such as lawn, artificial grass + padding (22mm) or safety tiles (40mm).

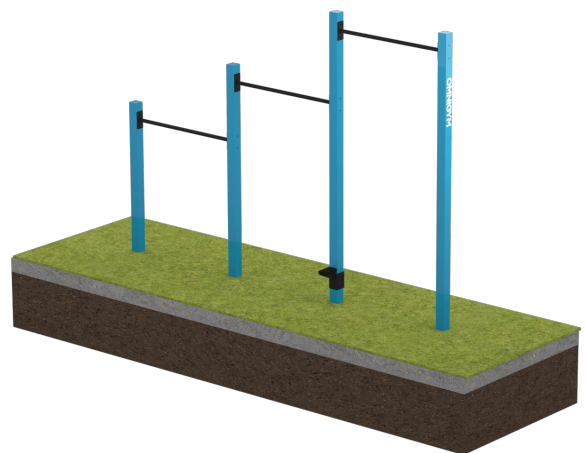
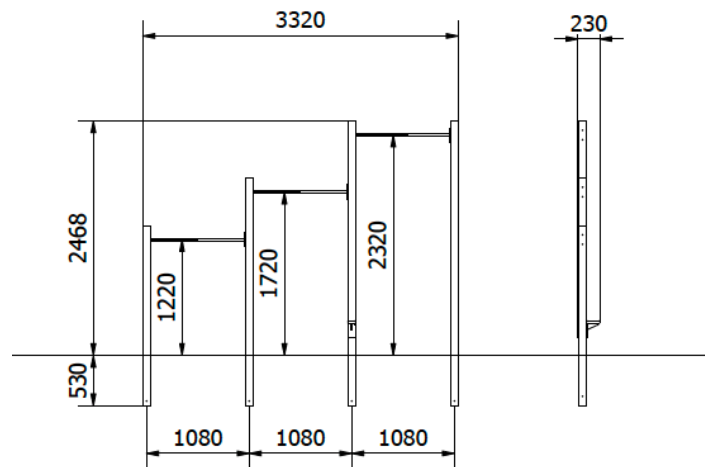
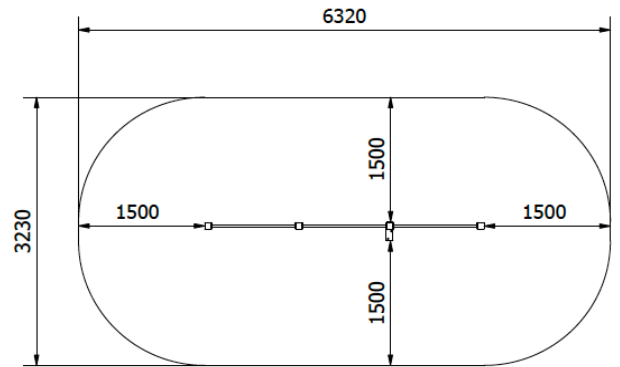
Concrete min 120 mm below equipment

Ground frost insulation, thickness based on the ground

Instruction guide included in delivery:

installation instructions, maintenance, usage info.

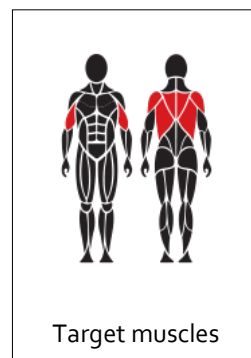
Contact: [info@omnigym.com](mailto:info@omnigym.com)



## EN16630

# OGFA24 FREE ACCESS LAT PULLDOWN

## PRODUCT GUIDE



## PRODUCT FEATURES

- Effective and safe exercise equipment
- Adjustable loading:
  - 10-100 kg (2 x weight unit)
  - 2,5 kg increments
- Multigrip (width)
- Maintenance-free
- Can be installed on a movable platform

## COLOR OPTIONS

The product comes as standard in RAL Classic colors:  
RAL 5012 (blue), RAL 3020 (red), RAL 6018 (green)  
RAL 1017 (yellow), or RAL 7024 (grey).



Other RAL colors are available at an additional cost.

# OGFA24 FREE ACCESS LAT PULLDOWN

## D I M E N S I O N S

Length	1720 mm
Width	1070 mm
Height	1575 mm
Equipment weight	178 kg (2 x weight unit)

## M A T E R I A L

Metal parts	Steel
Movement arm	Stainless steel
Tube strengths	3-6 mm
Coating solution	Zink and powder coating electropolishing

## C O U N T R Y / S T A N D A R D

Country of manufacture	Finland
Standard	EN16630

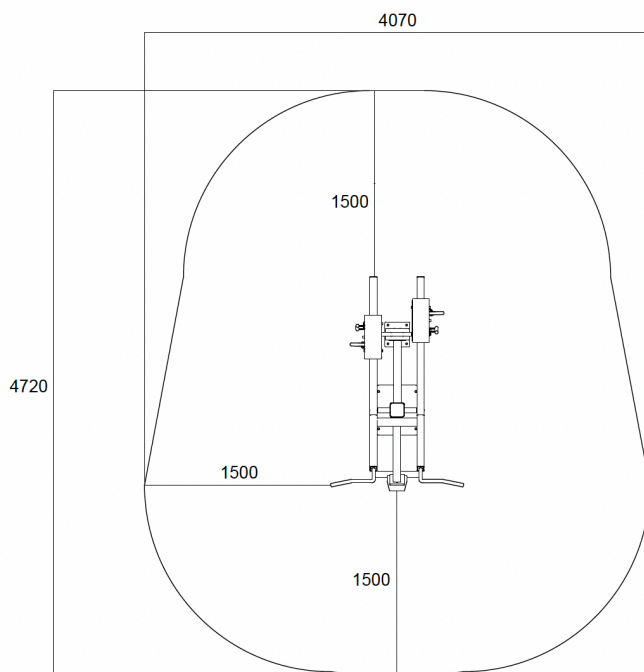
## B A S E O P T I O N S

- A. Concrete Surface mounting to concrete
- B. Platform Installed on movable platform

## F O U N D A T I O N

For example: artificial turf or moldable safety platform  
Concrete min 120 mm below equipment  
Ground frost insulation, thickness based on the ground

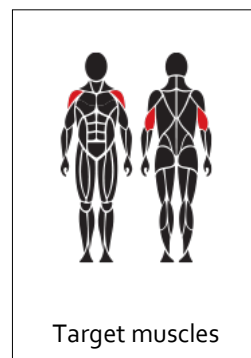
Instruction guide included in delivery:  
installation instructions, maintenance, usage info.  
Contact: [info@omnigym.com](mailto:info@omnigym.com)



## EN16630

# OGFA<sub>41</sub> FREE ACCESS FRONT PRESS

## PRODUCT GUIDE



## PRODUCT FEATURES

- Effective and safe exercise equipment
- Adjustable loading:
  - 10-85 kg (2 x weight unit)
  - 5 kg increments
- Multigrip (height)
- Maintenance-free
- Can be installed on a movable platform

## COLOR OPTIONS

The product comes as standard in RAL Classic colors:  
RAL 5012 (blue), RAL 3020 (red), RAL 6018 (green)  
RAL 1017 (yellow), or RAL 7024 (grey).



Other RAL colors are available at an additional cost.

# OGFA<sub>41</sub> FREE ACCESS FRONT PRESS

## D I M E N S I O N S

Length	2055 mm
Width	930 mm
Height	1412 mm
Equipment weight	207 kg (2 x weight unit)

## M A T E R I A L

Metal parts	Steel
Movement arm	Stainless steel
Tube strengths	3-6 mm
Coating solution	Zink and powder coating electropolishing

## C O U N T R Y / S T A N D A R D

Country of manufacture	Finland
Standard	EN16630

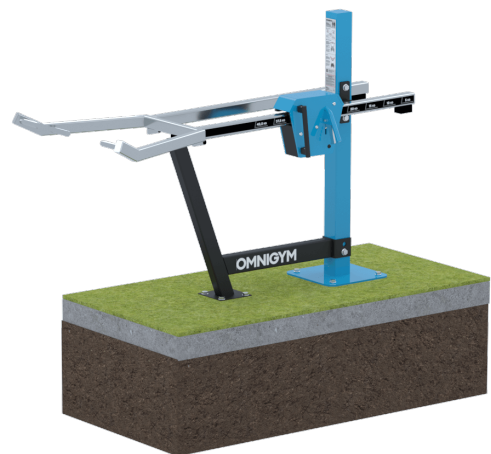
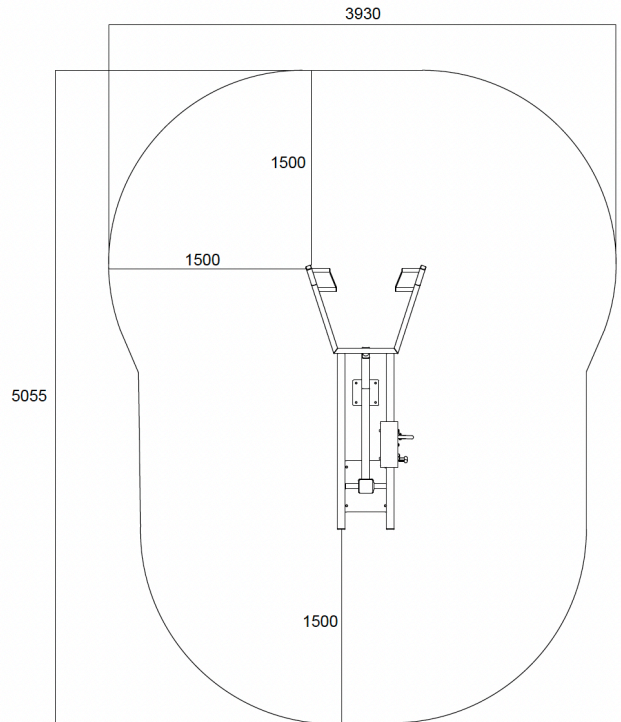
## B A S E O P T I O N S

A. Concrete	Surface mounting to concrete
B. Platform	Installed on movable platform

## F O U N D A T I O N

For example: artificial turf or moldable safety platform  
Concrete min 120 mm below equipment  
Ground frost insulation, thickness based on the ground

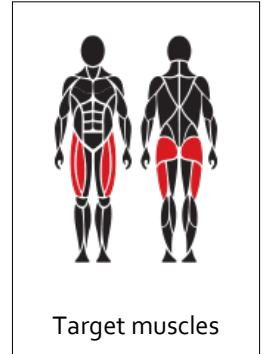
Instruction guide included in delivery:  
installation instructions, maintenance, usage info.  
Contact: [info@omnigym.com](mailto:info@omnigym.com)



## EN16630

# OGPB300 PLYO BOX

## PRODUCT GUIDE



## PRODUCT FEATURES

- Effective and safe exercise equipment
- Anti-slip surface
- Maintenance-free
- Can be installed on a movable platform

## COLOR OPTIONS

The product comes as standard in Black RAL 7021

# OGPB300 PLYO BOX

## D I M E N S I O N S

Length	595 mm
Width	750 mm
Height	300 mm
Equipment weight	35 kg

## M A T E R I A L

Metal parts	Steel
Tube strengths	3-6 mm
Coating solution	Zink and powder coating
Surface solution	Polyurethane coating

## C O U N T R Y / S T A N D A R D

Country of manufacture	Finland
Standard	EN16630

## B A S E O P T I O N S

A. Concrete	Surface mounting to concrete
B. Platform	Installed on movable platform

## F O U N D A T I O N

For example: artificial turf or moldable safety platform

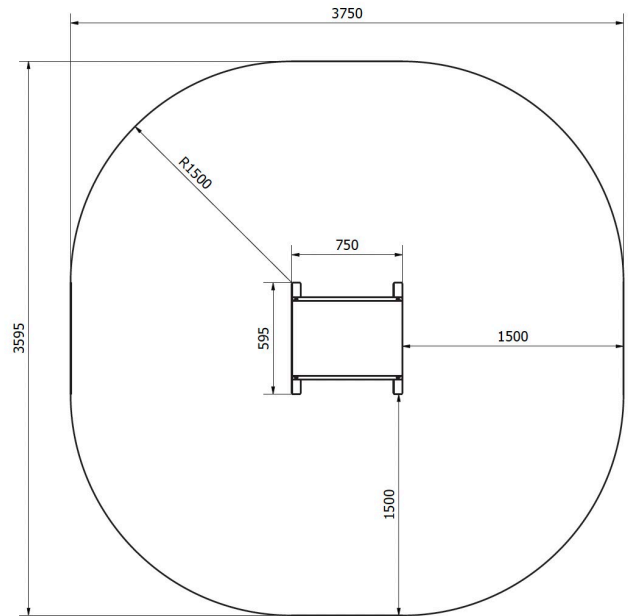
Concrete min 120 mm below equipment

Ground frost insulation, thickness based on the ground

Instruction guide included in delivery:

installation instructions, maintenance, usage info.

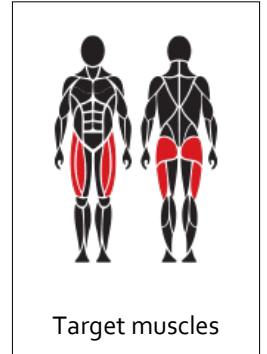
Contact: [info@omnigym.com](mailto:info@omnigym.com)



## EN16630

# OGPB450 PLYO BOX

## PRODUCT GUIDE



## PRODUCT FEATURES

- Effective and safe exercise equipment
- Anti-slip surface
- Maintenance-free
- Can be installed on a movable platform

## COLOR OPTIONS

The product comes as standard in Black RAL 7021

# OGPB450 PLYO BOX

## D I M E N S I O N S

Length	675 mm
Width	750 mm
Height	450 mm
Equipment weight	40 kg

## M A T E R I A L

Metal parts	Steel
Tube strengths	3-6 mm
Coating solution	Zink and powder coating
Surface solution	Polyurethane coating

## C O U N T R Y / S T A N D A R D

Country of manufacture	Finland
Standard	EN16630

## B A S E O P T I O N S

A. Concrete	Surface mounting to concrete
B. Platform	Installed on movable platform

## F O U N D A T I O N

For example: artificial turf or moldable safety platform

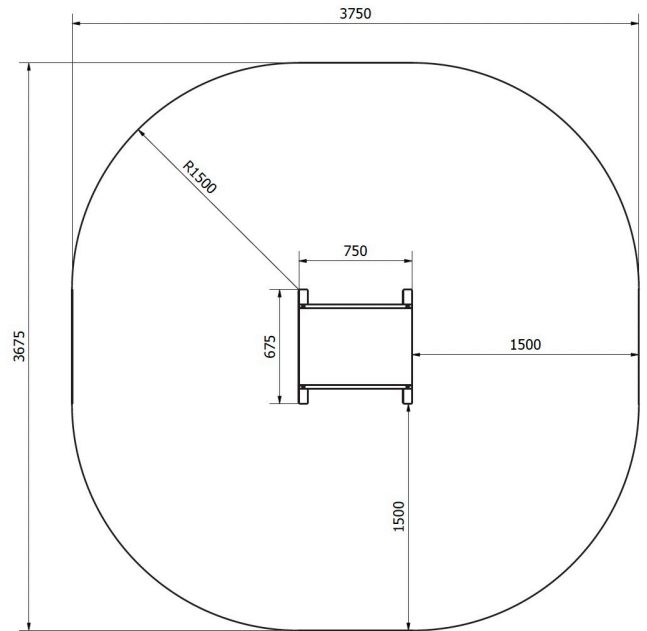
Concrete min 120 mm below equipment

Ground frost insulation, thickness based on the ground

Instruction guide included in delivery:

installation instructions, maintenance, usage info.

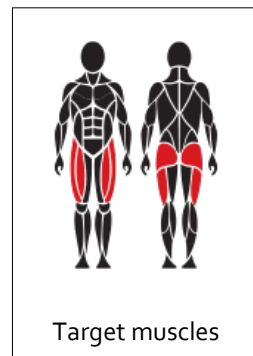
Contact: [info@omnigym.com](mailto:info@omnigym.com)



## EN16630

# OGPB600 PLYO BOX

## PRODUCT GUIDE



## PRODUCT FEATURES

- Effective and safe exercise equipment
- Anti-slip surface
- Maintenance-free
- Can be installed on a movable platform

## COLOR OPTIONS

The product comes as standard in Black RAL 7021

# OGPB600 PLYO BOX

## D I M E N S I O N S

Length	755 mm
Width	750 mm
Height	600 mm
Equipment weight	45 kg

## M A T E R I A L

Metal parts	Steel
Tube strengths	3-6 mm
Coating solution	Zink and powder coating
Surface solution	Polyurethane coating

## C O U N T R Y / S T A N D A R D

Country of manufacture	Finland
Standard	EN16630

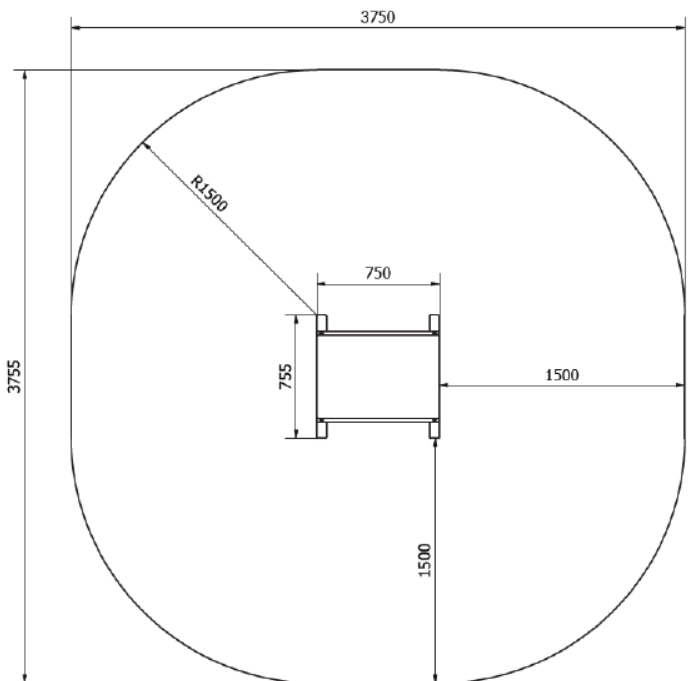
## B A S E O P T I O N S

- A. Concrete      Surface mounting to concrete
- B. Platform      Installed on movable platform

## F O U N D A T I O N

For example: artificial turf or moldable safety platform  
Concrete min 120 mm below equipment  
Ground frost insulation, thickness based on the ground

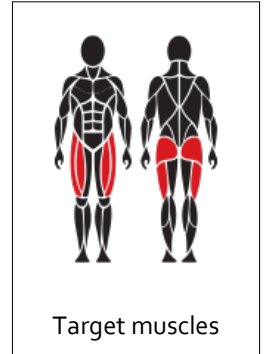
Instruction guide included in delivery:  
installation instructions, maintenance, usage info.  
Contact: [info@omnigym.com](mailto:info@omnigym.com)



## EN16630

# OGPB750 PLYO BOX

## PRODUCT GUIDE



## PRODUCT FEATURES

- Effective and safe exercise equipment
- Anti-slip surface
- Maintenance-free
- Can be installed on a movable platform

## COLOR OPTIONS

The product comes as standard in Black RAL 7021

# OGPB750 PLYO BOX

## D I M E N S I O N S

Length	835 mm
Width	750 mm
Height	750 mm
Equipment weight	50 kg

## M A T E R I A L

Metal parts	Steel
Tube strengths	3-6 mm
Coating solution	Zink and powder coating
Surface solution	Polyurethane coating

## C O U N T R Y / S T A N D A R D

Country of manufacture	Finland
Standard	EN16630

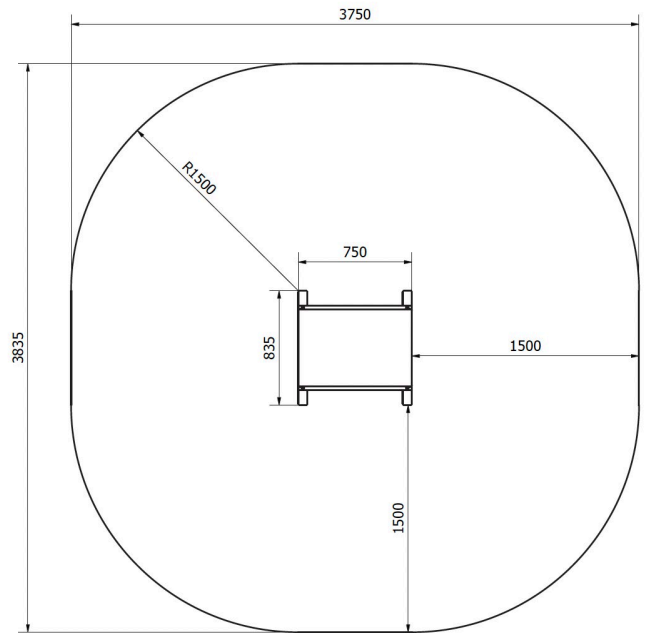
## B A S E O P T I O N S

A. Concrete	Surface mounting to concrete
B. Platform	Installed on movable platform

## F O U N D A T I O N

For example: artificial turf or moldable safety platform  
Concrete min 120 mm below equipment  
Ground frost insulation, thickness based on the ground

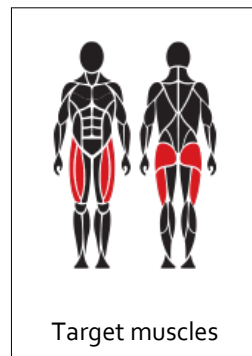
Instruction guide included in delivery:  
installation instructions, maintenance, usage info.  
Contact: [info@omnigym.com](mailto:info@omnigym.com)



## EN16630

# OGPB1000 PLYO BOX

## PRODUCT GUIDE



### PRODUCT FEATURES

- Effective and safe exercise equipment
- Anti-slip surface
- Maintenance-free
- Can be installed on a movable platform

### COLOR OPTIONS

The product comes as standard in Black RAL 7021

# OGPB1000 PLYO BOX

## D I M E N S I O N S

Length	970 mm
Width	750 mm
Height	1000 mm
Equipment weight	60 kg

## M A T E R I A L

Metal parts	Steel
Tube strengths	3-6 mm
Coating solution	Zink and powder coating
Surface solution	Polyurethane coating

## C O U N T R Y / S T A N D A R D

Country of manufacture	Finland
Standard	EN16630

## B A S E O P T I O N S

A. Concrete	Surface mounting to concrete
B. Platform	Installed on movable platform

## F O U N D A T I O N

For example: artificial turf or moldable safety platform

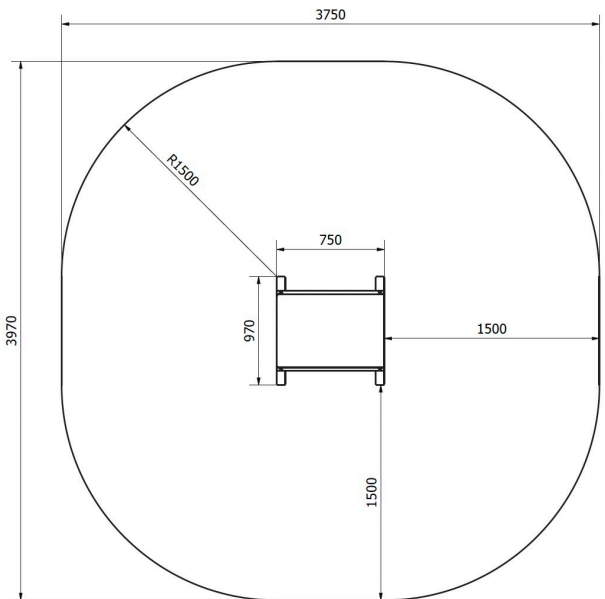
Concrete min 120 mm below equipment

Ground frost insulation, thickness based on the ground

Instruction guide included in delivery:

installation instructions, maintenance, usage info.

Contact: [info@omnigym.com](mailto:info@omnigym.com)

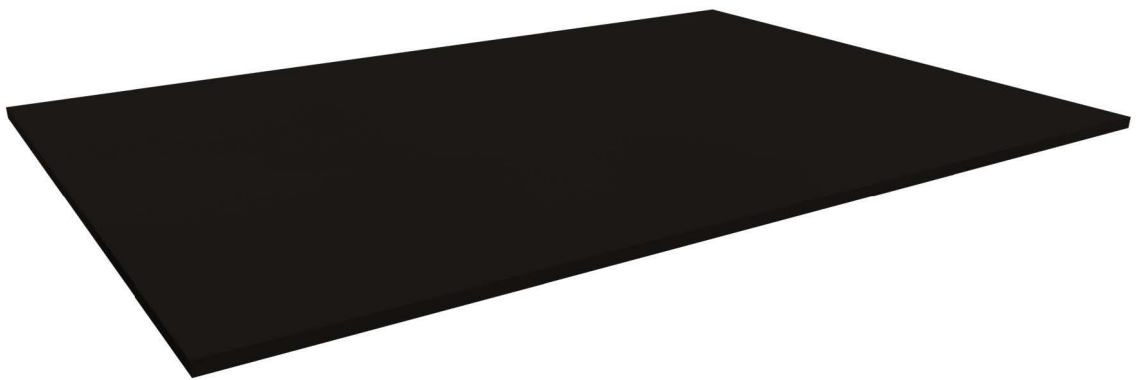


## EN16630

# OGMP MOVABLE PLATFORM

---

## P R O D U C T   G U I D E



### P R O D U C T   F E A T U R E S

- Effective and safe exercise equipment
- Fast and easy install for equipment
- Anti-slip surfacing
- Maintenance-free
- Suitable for all equipment except OG95 (See OGMP5) and OGCU

### C O L O R   O P T I O N S

The product comes as standard in Black RAL 7021

# OGMP MOVABLE PLATFORM

---

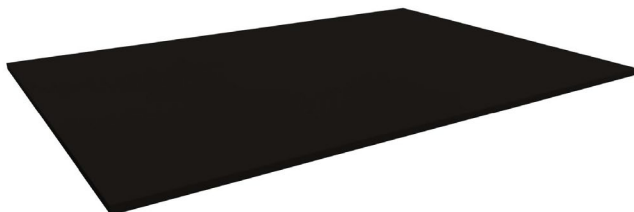
## D I M E N S I O N S

Length	3000 mm
Width	1220 mm
Height	40 mm
Equipment weight	152 kg

See product guide of the equipment to be installed on the movable platform.

## M A T E R I A L

Structure	Birch veneer
Coating solution	Polyurethane coating



## C O U N T R Y / S T A N D A R D

Country of manufacture	Finland
Standard	EN16630

## F O U N D A T I O N

Max allowed deviation is 10mm at 1000mm distance

Can be placed on leveled ground surfaces

Use sand for leveling, if necessary

Check instructions for transportation

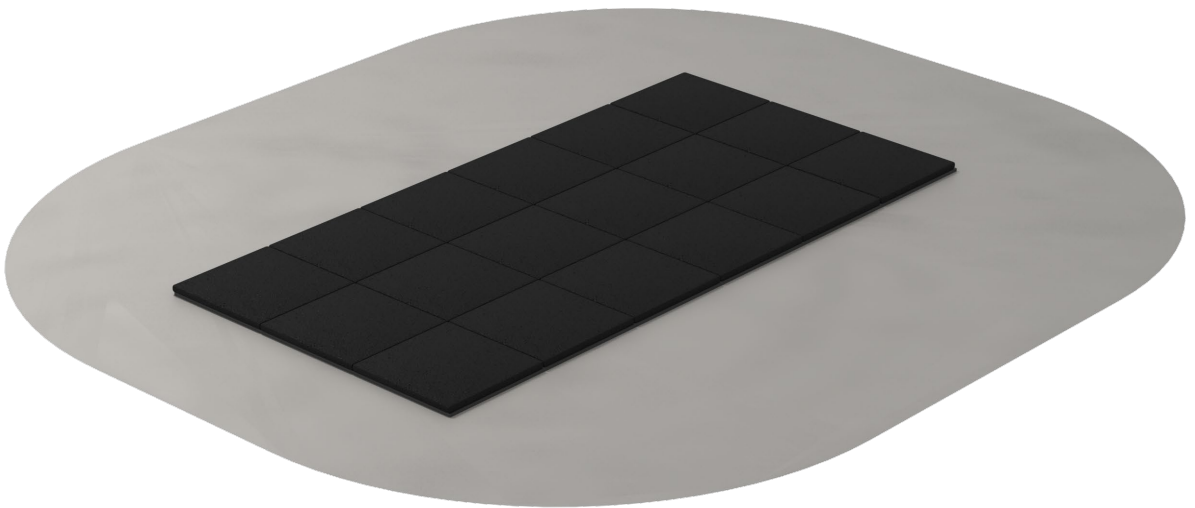
Instruction guide included in delivery:  
installation instructions, maintenance, usage info.  
Contact: [info@omnigym.com](mailto:info@omnigym.com)

**EN16630**

# OGMPS SAFETY PLATFORM

---

## PRODUCT GUIDE



### PRODUCT FEATURES

- Effective and safe exercise equipment
- Fast and easy install for equipment
- Anti-slip surfacing
- 40mm safety tiles
- Maintenance-free
- Suitable for OG95

### COLOR OPTIONS

The product comes as standard in Black RAL 7021

# OGMPS SAFETY PLATFORM

---

## D I M E N S I O N S

Length	30000 mm
Width	1220 mm
Height	40 mm + 40mm
Equipment weight	240 kg

See OG95 product guide.

## M A T E R I A L

Structure	Birch veneer
Coating solution	Polyurethane coating
Safety tiles	15 pcs 500x500x40mm



## C O U N T R Y / S T A N D A R D

Country of manufacture	Finland
Standard	EN16630

## F O U N D A T I O N

Max allowed deviation is 10mm at 1000mm distance

Can be placed on leveled ground surfaces

Use sand for leveling, if necessary

Safety area outside of the platform must be equipped with impact damping surface such as lawn, artificial grass + padding or safety tiles.

Check instructions for transportation

Instruction guide included in delivery:

installation instructions, maintenance, usage info.

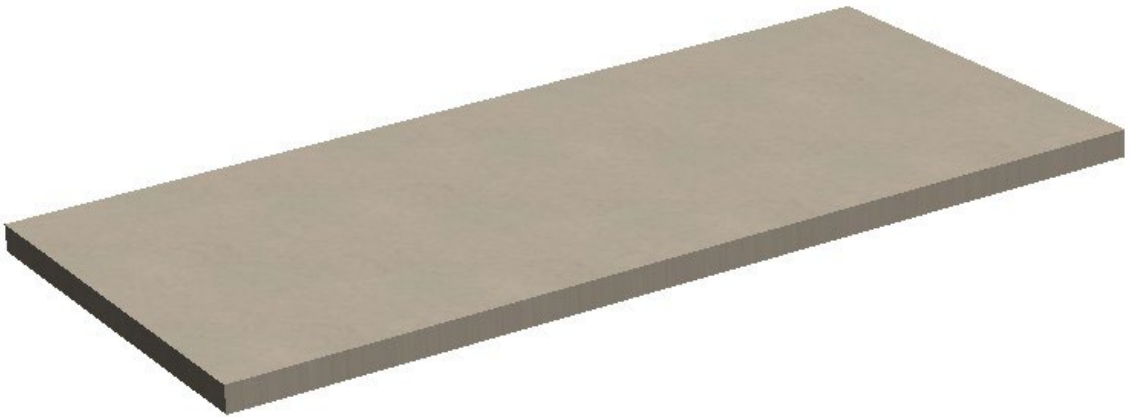
Contact: [info@omnigym.com](mailto:info@omnigym.com)

**EN16630**

# OGCP<sub>1</sub> CONCRETE SLAB

---

## PRODUCT GUIDE



### PRODUCT FEATURES

- Effective and safe exercise equipment
- Smooth surface
- Equipment pre-installed before transportation
- Suitable for equipment:
  - OG10, OG23, OG24, OG30, OG31
  - OG41, OG70, OG80, OG85, OG95
  - OGC7, OGFA24, OGFA41

### COLOR OPTIONS

No color options.

# OGCP<sub>1</sub> CONCRETE SLAB

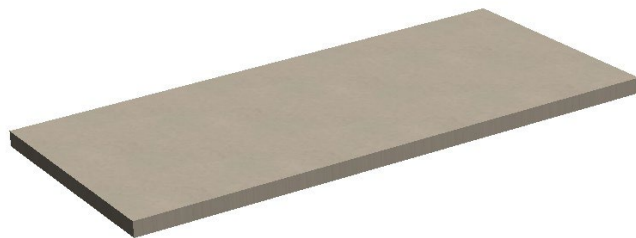
---

## D I M E N S I O N S

Length	3000 mm
Width	1000 mm
Height	80 mm
Equipment weight	580 kg

## M A T E R I A L

Coating solution	Concrete
Surface solution	Concrete



## C O U N T R Y / S T A N D A R D

Country of manufacture	Finland
Standard	EN16630

## F O U N D A T I O N

- Designed to replace concrete casting on site
- Contact us for specific instructions.

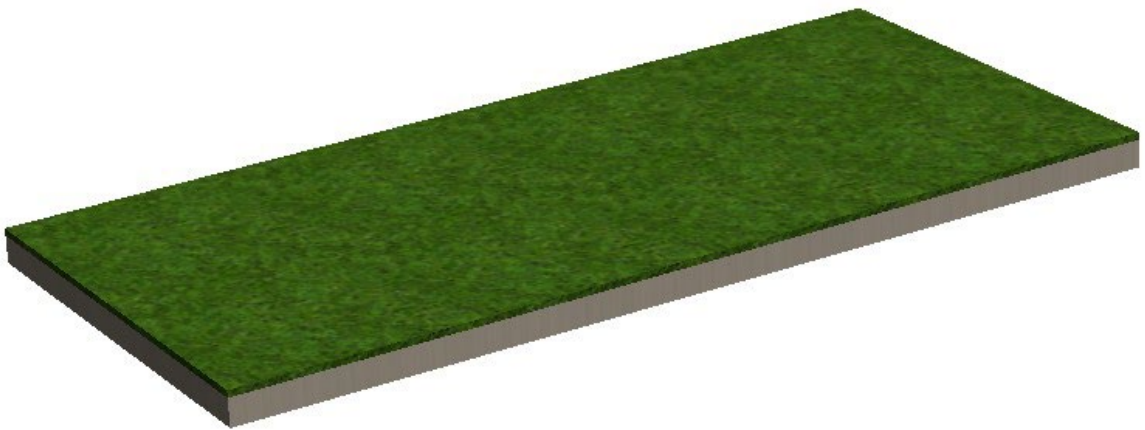
Instruction guide included in delivery:  
installation instructions, maintenance, usage info.  
Contact: [info@omnigym.com](mailto:info@omnigym.com)

**EN16630**

# OGCP<sub>1</sub>AG CONCRETE SLAB

---

## PRODUCT GUIDE



### PRODUCT FEATURES

- Effective and safe exercise equipment
- Artificial grass surface
- Equipment pre-installed before transportation
- Suitable for equipment:
  - OG10, OG23, OG24, OG30, OG31
  - OG41, OG70, OG80, OG85, OG95
  - OGC7, OGFA24, OGFA41

### COLOR OPTIONS

Green artificial grass.

# OGCP<sub>1</sub>AG CONCRETE SLAB

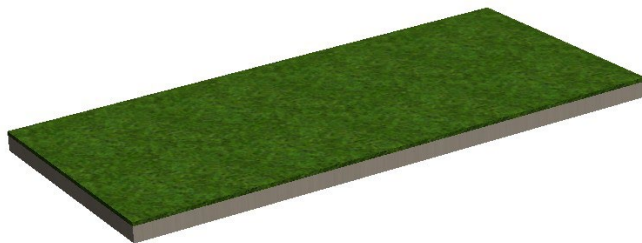
---

## D I M E N S I O N S

Length	3000 mm
Width	1000 mm
Height	80 mm
Equipment weight	580 kg

## M A T E R I A L

Coating solution	Concrete
Surface solution	Artificial grass



## C O U N T R Y / S T A N D A R D

Country of manufacture	Finland
Standard	EN16630

## F O U N D A T I O N

- Designed to replace concrete casting on site
- Contact us for specific instructions.

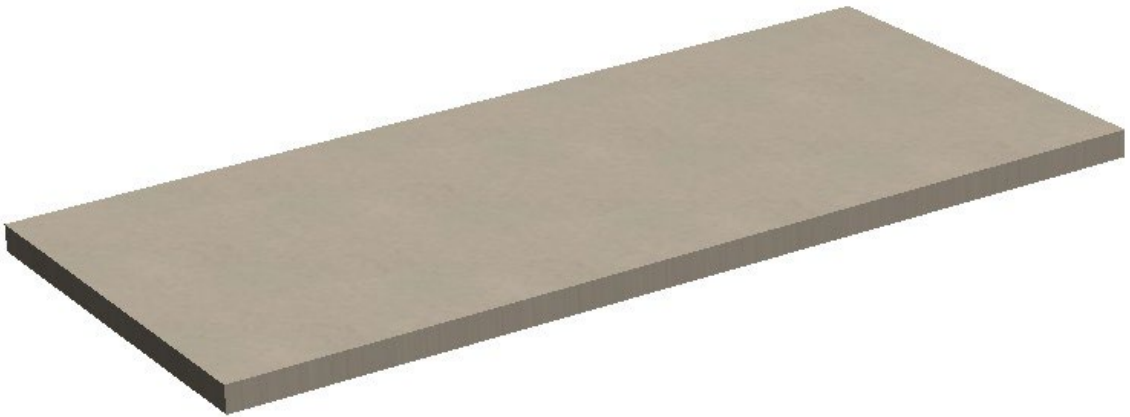
Instruction guide included in delivery:  
installation instructions, maintenance, usage info.  
Contact: [info@omnigym.com](mailto:info@omnigym.com)

**EN16630**

# OGCP<sub>2</sub> CONCRETE SLAB

---

## PRODUCT GUIDE



### PRODUCT FEATURES

- Effective and safe exercise equipment
- Smooth surface
- Equipment pre-installed before transportation
- Suitable for equipment:
  - OG21, OG26, OG72
  - OG82, OG91, OG92
  - OGPB (all sizes)
  - OGSIGN\_S, OGSIGN\_L

### COLOR OPTIONS

No color options.

# OGCP<sub>2</sub> CONCRETE SLAB

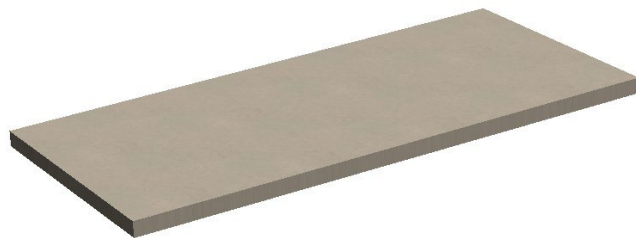
---

## D I M E N S I O N S

Length	2000 mm
Width	1300 mm
Height	80 mm
Equipment weight	500 kg

## M A T E R I A L

Coating solution	Concrete
Surface solution	Concrete



## C O U N T R Y / S T A N D A R D

Country of manufacture	Finland
Standard	EN16630

## F O U N D A T I O N

- Designed to replace concrete casting on site
- Contact us for specific instructions.

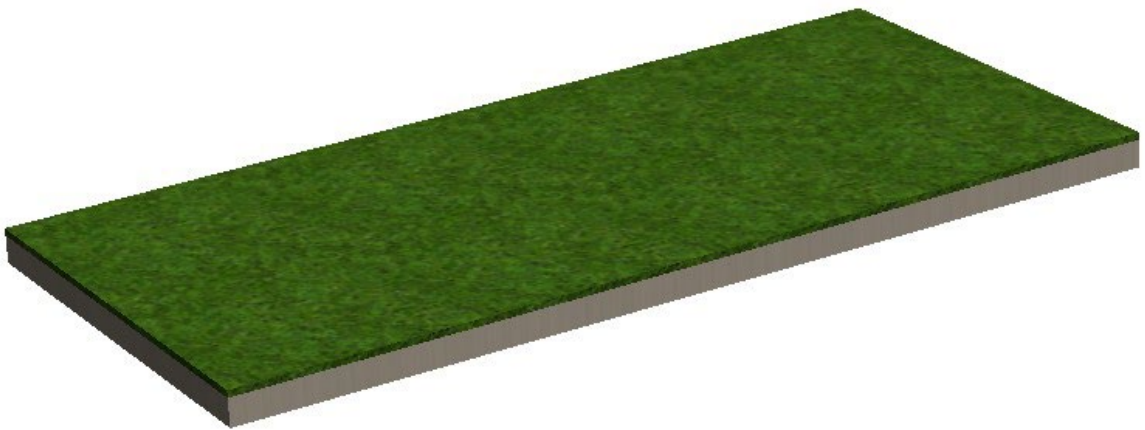
Instruction guide included in delivery:  
installation instructions, maintenance, usage info.  
Contact: [info@omnigym.com](mailto:info@omnigym.com)

**EN16630**

# OGCP<sub>2</sub>AG CONCRETE SLAB

---

## PRODUCT GUIDE



### PRODUCT FEATURES

- Effective and safe exercise equipment
- Artificial grass surface
- Equipment pre-installed before transportation
- Suitable for equipment:
  - OG21, OG26, OG72
  - OG82, OG91, OG92
  - OGPB (all sizes)
  - OGSIGN\_S, OGSIGN\_L

### COLOR OPTIONS

Green artificial grass.

# OGCP<sub>2</sub>AG CONCRETE SLAB

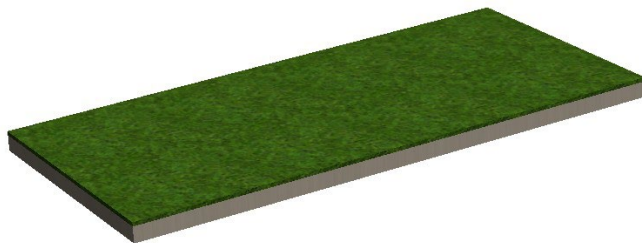
---

## D I M E N S I O N S

Length	2000 mm
Width	1300 mm
Height	80 mm
Equipment weight	500 kg

## M A T E R I A L

Coating solution	Concrete
Surface solution	Artificial grass



## C O U N T R Y / S T A N D A R D

Country of manufacture	Finland
Standard	EN16630

## F O U N D A T I O N

- Designed to replace concrete casting on site
- Contact us for specific instructions.

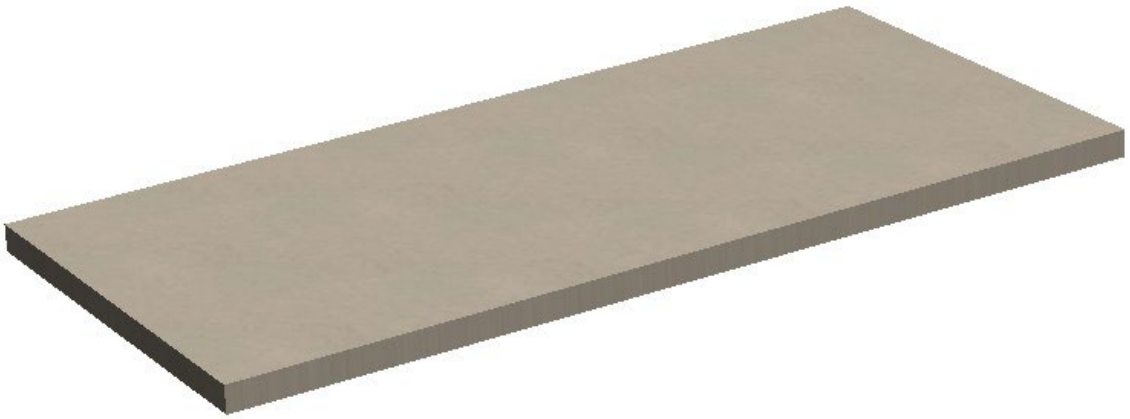
Instruction guide included in delivery:  
installation instructions, maintenance, usage info.  
Contact: [info@omnigym.com](mailto:info@omnigym.com)

**EN16630**

# OGCP<sub>3</sub> CONCRETE SLAB

---

## PRODUCT GUIDE



### PRODUCT FEATURES

- Effective and safe exercise equipment
- Smooth surface
- Equipment pre-installed before transportation
- Suitable for equipment:  
OG12, OG14, OG22

### COLOR OPTIONS

No color options.

# OGCP<sub>3</sub> CONCRETE SLAB

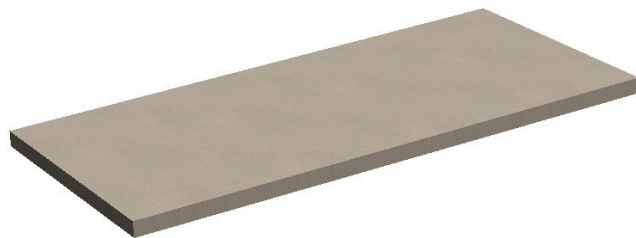
---

## D I M E N S I O N S

Length	3000 mm
Width	1300 mm
Height	80 mm
Equipment weight	750 kg

## M A T E R I A L

Coating solution	Concrete
Surface solution	Concrete



## C O U N T R Y / S T A N D A R D

Country of manufacture	Finland
Standard	EN16630

## F O U N D A T I O N

- Designed to replace concrete casting on site
- Contact us for specific instructions.

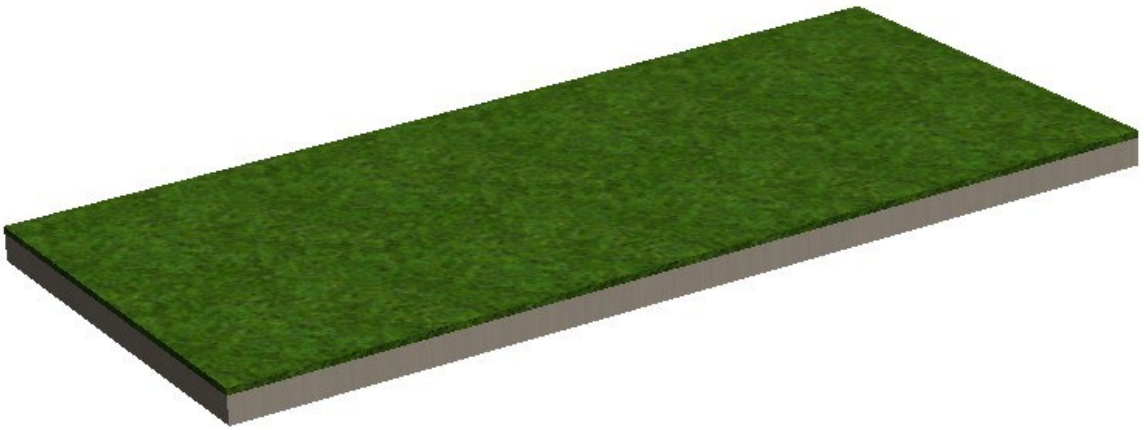
Instruction guide included in delivery:  
installation instructions, maintenance, usage info.  
Contact: [info@omnigym.com](mailto:info@omnigym.com)

**EN16630**

# OGCP<sub>3</sub>AG CONCRETE SLAB

---

## PRODUCT GUIDE



### PRODUCT FEATURES

- Effective and safe exercise equipment
- Artificial grass surface
- Equipment pre-installed before transportation
- Suitable for equipment:  
OG12, OG14, OG22

### COLOR OPTIONS

Green artificial grass.

# OGCP<sub>3</sub>AG CONCRETE SLAB

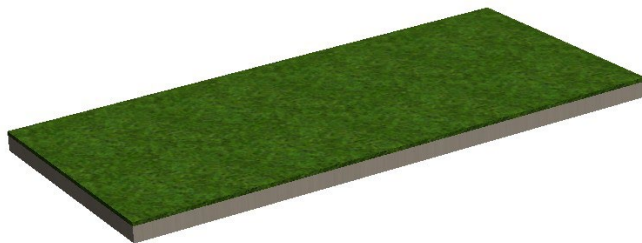
---

## D I M E N S I O N S

Length	3000 mm
Width	1300 mm
Height	80 mm
Equipment weight	750 kg

## M A T E R I A L

Coating solution	Concrete
Surface solution	Artificial grass



## C O U N T R Y / S T A N D A R D

Country of manufacture	Finland
Standard	EN16630

## F O U N D A T I O N

- Designed to replace concrete casting on site
- Contact us for specific instructions.

Instruction guide included in delivery:  
installation instructions, maintenance, usage info.  
Contact: [info@omnigym.com](mailto:info@omnigym.com)

**EN16630**

# OGSIGN\_S INFO SIGN

## PRODUCT GUIDE



### PRODUCT FEATURES

- Effective and safe exercise equipment
- Includes all required information from EN16630
- Custom logo, name and contact information
- Can be installed on movable platform.

### COLOR OPTIONS

The product comes as standard in Black RAL 7021

# OGSIGN\_S INFO SIGN

---

## D I M E N S I O N S

Length	245 mm
Width	297 mm
Height	1130 mm
Equipment weight	14 kg

## M A T E R I A L

Coating solution	Powder coated steel
Surface solution	Aluminum composite sign

## C O U N T R Y / S T A N D A R D

Country of manufacture	Finland
Standard	EN16630

## F O U N D A T I O N

- Surface mounted
- Concrete min 80 mm below equipment



Instruction guide included in delivery:  
installation instructions, maintenance, usage info.  
Contact: [info@omnigym.com](mailto:info@omnigym.com)

**EN16630**

# OGSIGN\_L TRAINING AREA SIGN

## PRODUCT GUIDE



## PRODUCT FEATURES

- Effective and safe exercise equipment
- Includes all required information from EN16630
- Custom logo, name and contact information
- Training instructions and tips
- Can be installed on movable platform.

## COLOR OPTIONS

The product comes as standard in Black RAL 7021

# OGSIGN\_L TRAINING AREA SIGN

## D I M E N S I O N S

Length	245 mm
Width	1188 mm
Height	1130 mm
Equipment weight	32 kg

## M A T E R I A L

Coating solution	Powder coated steel
Surface solution	Aluminum composite sign

## C O U N T R Y / S T A N D A R D

Country of manufacture	Finland
Standard	EN16630

## F O U N D A T I O N

- Surface mounted
- Concrete min 80 mm below equipment

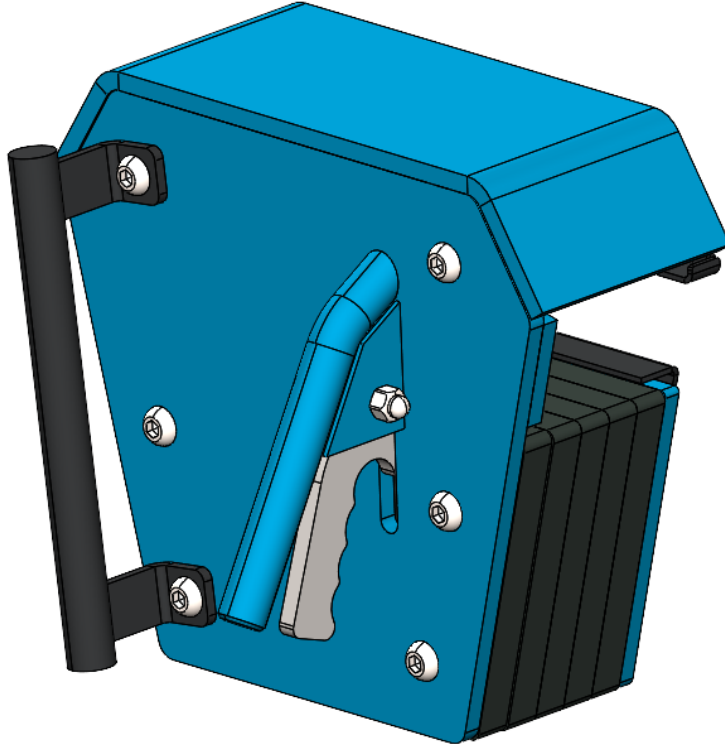


Instruction guide included in delivery:  
installation instructions, maintenance, usage info.  
Contact: [info@omnigym.com](mailto:info@omnigym.com)

**EN16630**

# OGWGT EXTRA WEIGHT UNIT

## PRODUCT GUIDE



### PRODUCT FEATURES

- Effective and safe exercise equipment
- Suitable for equipment:  
OG10, OG24, OG30, OG31  
OG41, OG70, OGFA24, OGFA41

Country of manufacture	Finland
Standard	EN16630
Metal parts	Steel

### COLOR OPTIONS

The product comes as standard in RAL Classic colors:  
RAL 5012 (blue), RAL 3020 (red), RAL 6018 (green)  
RAL 1017 (yellow), or RAL 7024 (grey).



Other RAL colors are available at an additional cost.